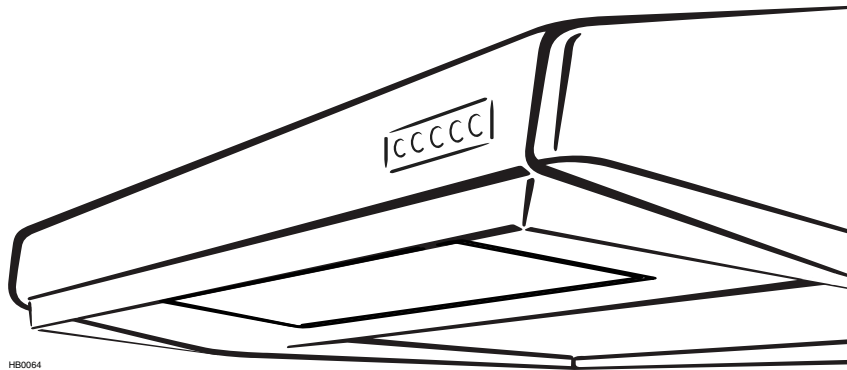


ZEPHYR

RANGE HOOD INSTALLATION INSTRUCTIONS - USE AND CARE



HB0064

MODEL ES1-E30AB, ES1-E30AS, ES1-30AW

⚠ INTENDED FOR DOMESTIC COOKING ONLY ⚠

READ AND SAVE THESE INSTRUCTIONS

INSTALLER: LEAVE THIS MANUAL WITH HOMEOWNER.
HOMEOWNER: CLEANING AND OPERATION INFORMATION
ON PAGES 9 AND 10.



DEC07.0101

06683 rev. A

⚠ WARNING

TO REDUCE THE RISK OF FIRE, ELECTRIC SHOCK OR INJURY TO PERSONS, OBSERVE THE FOLLOWING:

1. Use this unit only in the manner intended by the manufacturer. If you have questions, contact the manufacturer at the address or telephone number listed in the warranty.
2. Before servicing or cleaning unit, switch power off at service panel and lock service disconnecting means to prevent power from being switched on accidentally. When the service disconnecting means cannot be locked, securely fasten a prominent warning device, such as a tag, to the service panel.
3. Installation work and electrical wiring must be done by qualified personnel in accordance with all applicable codes and standards, including fire-rated construction codes and standards.
4. Sufficient air is needed for proper combustion and exhausting of gases through the flue (chimney) of fuel burning equipment to prevent backdrafting. Follow the heating equipment manufacturer's guidelines and safety standards such as those published by the National Fire Protection Association (NFPA), and the American Society for Heating, Refrigeration and Air Conditioning Engineers (ASHRAE), and the local code authorities.
5. When cutting or drilling into wall or ceiling, do not damage electrical wiring and other hidden utilities.
6. Ducted fans must always be vented to the outdoors.
7. Do not use this unit with any solid-state speed control device.
8. To reduce the risk of fire, use only metal ductwork.
9. This unit must be grounded.

TO REDUCE THE RISK OF A RANGE TOP GREASE FIRE:

- a) Never leave surface units unattended at high settings. Boilovers cause smoking and greasy spillovers that may ignite. Heat oils slowly on low or medium settings.
- b) Always turn hood ON when cooking at high heat or when cooking flambeing foods (e.g.: crêpes Suzette, cherries jubilee, peppercorn beef flambé).
- c) Clean ventilating fans frequently. Grease should not be allowed to accumulate on fan or filter.
- d) Use proper pan size. Always use cookware appropriate for the size of the surface element.

⚠ WARNING

TO REDUCE THE RISK OF INJURY TO PERSONS IN THE EVENT OF A RANGE TOP GREASE FIRE, OBSERVE THE FOLLOWING*:

1. SMOTHER FLAMES with a close-fitting lid, cookie sheet or metal tray, then turn off the burner. BE CAREFUL TO PREVENT BURNS. IF THE FLAMES DO NOT GO OUT IMMEDIATELY, EVACUATE AND CALL THE FIRE DEPARTMENT.
2. NEVER PICK UP A FLAMING PAN – You may be burned.
3. DO NOT USE WATER, including wet dishcloths or towels – This could cause a violent steam explosion.
4. Use an extinguisher ONLY if:
 - A. You own a Class ABC extinguisher and you know how to operate it.
 - B. The fire is small and contained in the area where it started.
 - C. The fire department has been called.
 - D. You can fight the fire with your back to an exit.

*Based on "Kitchen Fire Safety Tips published by NFPA.

CAUTION

1. For general ventilating use only. Do not use to exhaust hazardous or explosive materials and vapors.
2. To avoid motor bearing damage and noisy and/or unbalanced impeller, keep drywall spray, construction dust, etc. off power unit.
3. Your hood motor has a thermal overload which will automatically shut off the motor if it becomes overheated. The motor will restart when it will cool down. If the motor continues to shut off and restart, have the hood serviced.
4. The minimum hood distance above cooktop must not be less than 20" for an electric range, and 24" for a gas range. A maximum of 30" above cooktop is highly recommended for best capture of cooking impurities.
5. Two installers are recommended because of the large size and weight of this hood.
6. To reduce the risk of fire and to properly exhaust air, be sure to duct air outside – Do not exhaust air into spaces within walls or ceiling or into attics, crawl space or garage.
7. Because of the high exhausting capacity of this hood, you should make sure enough air is entering the house to replace exhausted air by opening a window close to or in the kitchen.
8. Use with approved cord-connection kit only.
9. Please read specification label on product for further information and requirements.

ABOUT THIS MANUAL

Please take note this manual uses the following symbols to emphasize particular information:

WARNING

Identifies an instruction which, if not followed, might cause serious personal injuries including possibility of death.

CAUTION

Denotes an instruction which, if not followed, may severely damage the unit and/or its components.

NOTE: Indicates supplementary information needed to fully complete an instruction.

TOOLS NEEDED TO INSTALL THE RANGE HOOD

- Phillips screwdriver no. 2 or Robertson no. 1 and no. 2
- Hammer and flat blade screwdriver (to open the knockout holes)
- Sheet metal sheers
- Pair of pliers
- Scissors (to cut duct tape)
- Pen
- Wire stripper

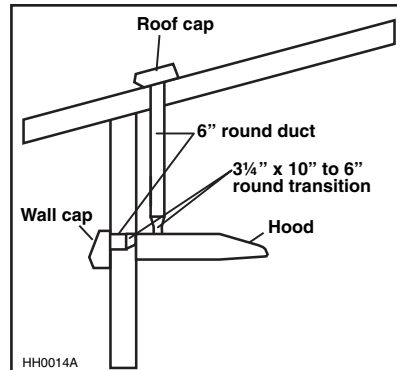
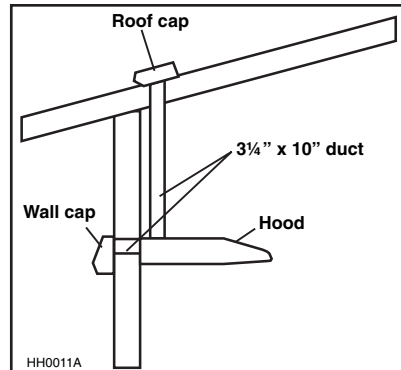
TABLE OF CONTENTS

1. INSTALL DUCTWORK	4
2. MEASURE THE INSTALLATION	4
3. PREPARE THE INSTALLATION	5
4. PREPARE THE HOOD	6
5. INSTALL THE ADAPTER/DAMPER	6-7
6. INSTALL THE HOOD	7
7. CONNECT WIRING	8
8. REINSTALL BOTTOM PANEL AND FILTERS	8
9. FLUORESCENT LAMPS	9
10. CLEANING	9-10
11. OPERATION	11
12. REPLACEMENT PARTS	11

1. INSTALL DUCTWORK

Plan where and how the ductwork will be installed.

Install proper-sized ductwork, elbow(s) and roof or wall cap for the type of blower you are installing. If using 6" (150 mm) round ducts, use a transition. Use 2" (50 mm) duct tape to seal duct joints.

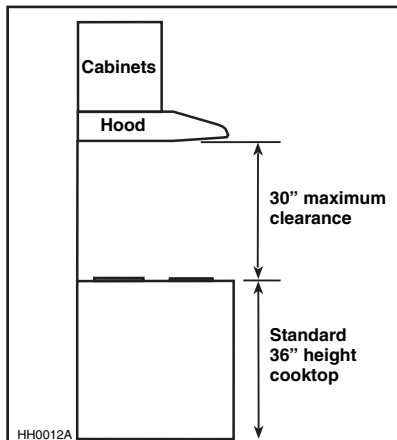
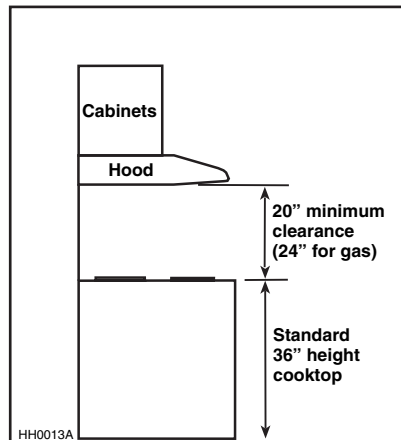


2. MEASURE THE INSTALLATION

Dimensions for the most common installations are shown below.

We recommend to install the hood at a minimum of 20" (508 mm) from an electric range and at 24" (610 mm) from a gas range.

For optimal performance, the hood should not be installed more than 30" (762 mm) from cooktop.



3. PREPARE THE INSTALLATION

Make sure the following items are included:

- Hood
- Filters (2)
- Adapter/damper assembly 3¼" x 10" (located inside the hood, under the bottom panel)
- Compact fluorescent lamps (120 V, 13 W, PLC13, 2700 K with G24q-1 base)
- Bag of parts including:
 - (1) wire clamp, (5) 1/2" double thread screws, (2) wire connectors and (6) no. 6 x 1/2" screws

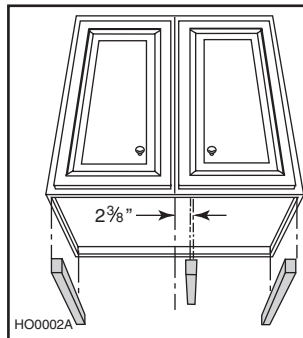
Parts sold separately:

- Transition 3¼"x 10" to 6" round (optional, for 6" round ducts installation only)

CAUTION

When performing installation, servicing or cleaning the unit, it is recommended to wear safety glasses and gloves.

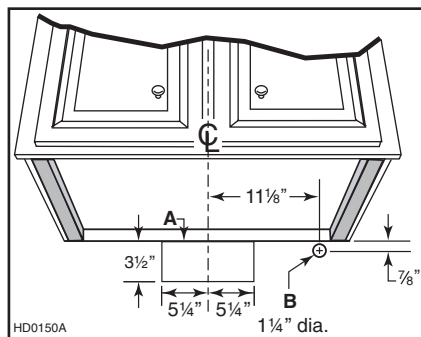
NOTE: If the bottom of the cupboard is recessed, attach wood strips (not included), as shown beside, in order to properly install the range hood under the cabinet. The wood strips must be as thick as recess.



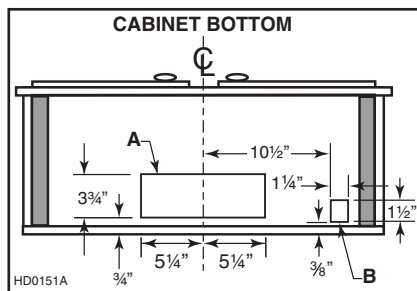
Cut-out the openings for duct (A) and power cable (B), in cabinet or wall, according to the direction of discharge chosen.

See figures below.

HORIZONTAL DISCHARGE:



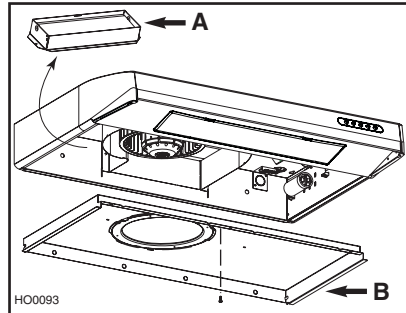
VERTICAL DISCHARGE:



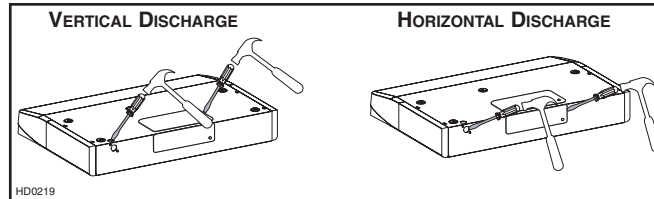
4. PREPARE THE HOOD

Remove both filters from the hood. Disassemble the adaptor/damper (A) from the hood.

NOTE: The adaptor/damper is located inside the hood. Remove the bottom panel (B) to access the adaptor/damper. Refer to figure beside.



Punch out the electrical and discharge knock-outs for the chosen opening (vertical on top or horizontal at the back of the hood). Refer to figure below.

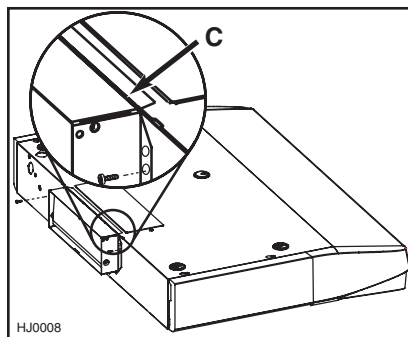


5. INSTALL THE ADAPTER/DAMPER

NOTE: If this hood replaces another one, please note that the location of the air exhaust can vary from one manufacturer to another.

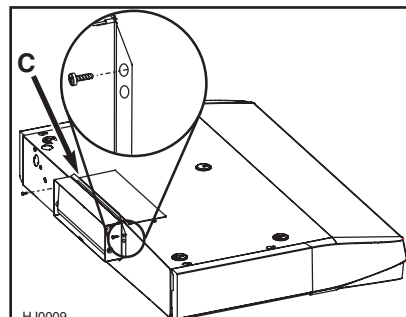
HORIZONTAL DISCHARGE, NEW INSTALLATION

Fold down the foldable flange (C) of the adaptor/damper. This flange must be at 90° from the remaining flanges. Use the lower screw holes on each side of the adaptor/damper to assemble it to the back of hood. See below.



HORIZONTAL DISCHARGE, HOOD REPLACEMENT

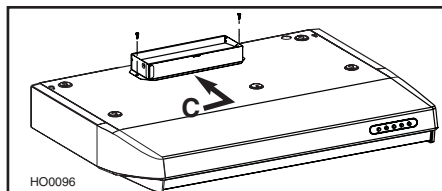
It may be necessary to adjust the adaptor/damper location to the existing wall discharge opening. Leave the foldable flange (C) of the adaptor/damper as is. Use the upper screw holes on each side of the adaptor/damper to assemble it to the back of hood. See below.



5. INSTALL THE ADAPTER/DAMPER (CONT'D)

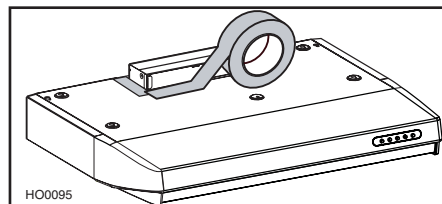
VERTICAL DISCHARGE

For a **vertical discharge installation only**, leave the foldable flange (C) of the adapter/damper as is. This flange must be located towards the front of the hood. See beside.



ALL INSTALLATIONS

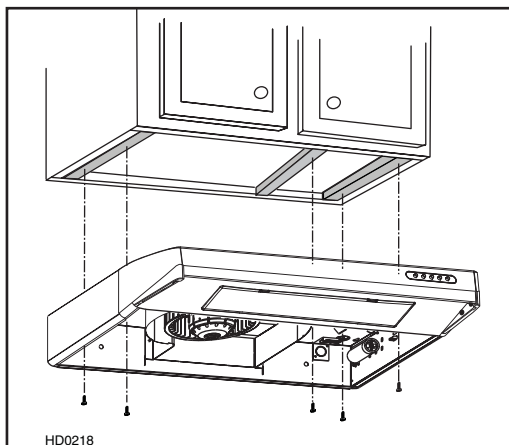
Using two 1/2" screws, secure the adapter/damper to the top or back of the hood. Tape the adapter/damper to the hood using duct tape to seal it.



- NOTES:
1. For the best ventilation performance, if a round duct must be used, the duct diameter must be 6" or more. Use a 3 1/4" x 10" to 6" round transition.
 2. The wall duct must be well prepared to receive the adapter. Before performing the installation, make sure the adapter fits easily in the duct.

6. INSTALL THE HOOD

Run power cable to installation location. Place the hood at its location. Using a pen, mark the position of the screws (smaller part of the **embossed** keyholes). Remove the hood and install four 1/2" double thread screws at sides locations (A), leaving a 1/8" gap. Place the wire clamp, insert the cable in the hood and tighten the wire clamp to secure the cable. Place the hood under the cabinet and slide it in position. Make sure the adapter/damper assembly enters the ducting and the damper opens freely. Secure the hood by tightening the screws completely. Install the last 1/2 double thread screw (B) in the remaining embossed hole.



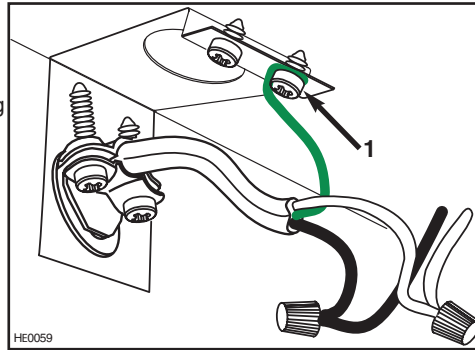
7. CONNECT WIRING

⚠WARNING

Risk of electrical shock. Electrical wiring must be done by qualified personnel in accordance with all applicable codes and standards. Before connecting wires, switch power off at service panel and lock service disconnecting means to prevent power to be switched on accidentally.

Connect cable to range hood wiring using included wire connectors.

Connect BLACK to BLACK, WHITE to WHITE and GREEN or BARE WIRE to GREEN ground screw (1).



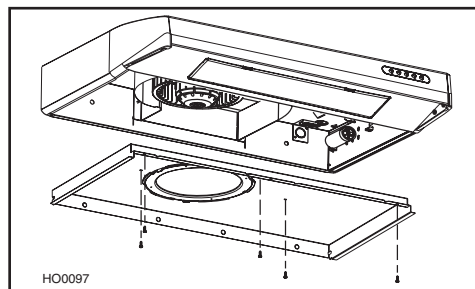
⚠WARNING

Do not forget to connect the ground!

8. REINSTALL BOTTOM PANEL AND FILTERS

Reinstall the bottom panel, using the retaining screw previously removed in step 4 plus 4 others from parts bag. Refer to illustration beside.

Then, reinstall filters.



9. FLUORESCENT LAMPS

⚠ WARNING

This product contains fluorescent lamps containing mercury. Dispose of appropriately, according to local laws and requirements.

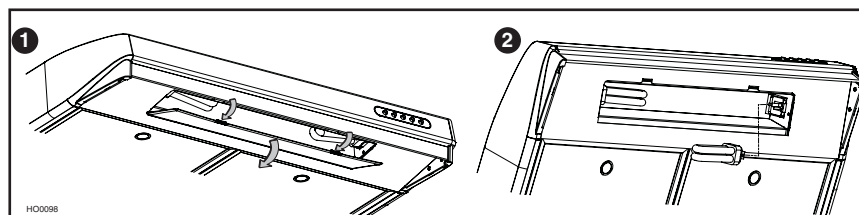
This range hood must use compact fluorescent lamps (120 V, 13 W, PLC13, 2700 K with G24q-1 base) (included).

⚠ WARNING

In order to prevent the risk of personal injury, the fluorescent tubes must be cooled down before removing them.

NOTE: The range hood is shipped with both fluorescent lamps packed behind the light diffuser.

1. To access fluorescent lamps, remove the light diffuser by pushing on its both tabs and pulling it down.
2. To install the fluorescent lamps, slide their 4 prongs into their corresponding holes in their socket until secured. Reinstall the light diffuser.

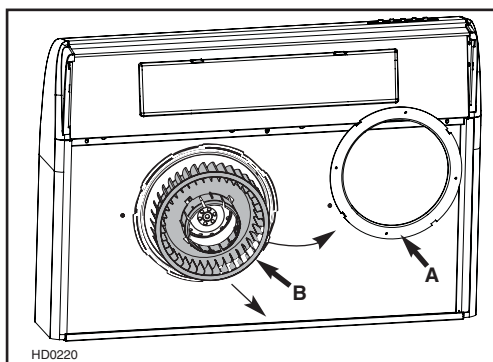


To remove fluorescent lamps, remove the light diffuser and pull fluorescent lamps out of their socket.

NOTE: Some fluorescent lamps may produce a yellowish lighting on first usages. This temporary effect will disappear by itself.

10. CLEANING

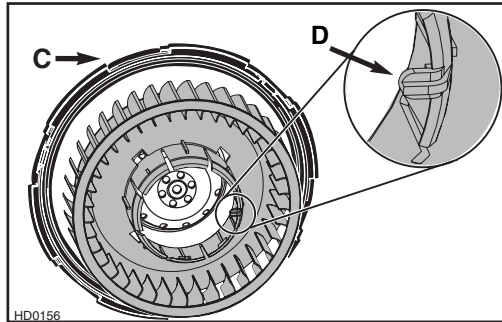
The grease filters, bottom panel, intake ring (A) and blower wheel (B) should be cleaned frequently. Use a warm detergent solution. The grease filters, intake ring and blower wheel are dishwasher safe.



NOTE: Some minerals, when in contact with dishwasher soap additives, may cause filters discoloration. This discoloration is not covered by the warranty.

10. CLEANING (CONT'D)

To remove the blower wheel, first take off its intake ring. Then remove the blower wheel by pulling it down smoothly.



NOTE: Do not try to remove the black part (C) attached to the bottompanel.

When reinstalling the blower wheel, make sure the small tab (D) will fit into one hole of the motor.

STAINLESS STEEL CLEANING:

Do:	Don't:
<ul style="list-style-type: none">• Regularly wash surfaces with clean cloth or rag soaked with warm water and mild soap or liquid dish detergent.• Always clean in the direction of original polish lines.• Always rinse well with clear water (2 or 3 times) after cleaning. Wipe completely dry.• You may also use a specialized household stainless steel cleaner.	<ul style="list-style-type: none">• Do not use any steel or stainless steel wool or any other scrapers to remove stubborn dirt.• Do not use any harsh or abrasive cleansers.• Do not allow dirt to accumulate.• Do not let plaster dust or any other construction residues reach the hood. During construction or renovation, cover the hood to make sure no dust adheres to stainless steel surface.

Avoid: when choosing a detergent

- Any cleaners that contain **bleach** will attack stainless steel.
- Any products containing: **chloride, fluoride, iodide, bromide** will deteriorate surfaces rapidly.
- Any **combustible products** used for cleaning such as **acetone, alcohol, ether, benzol**, etc., are highly explosive and should never be used close to a range.

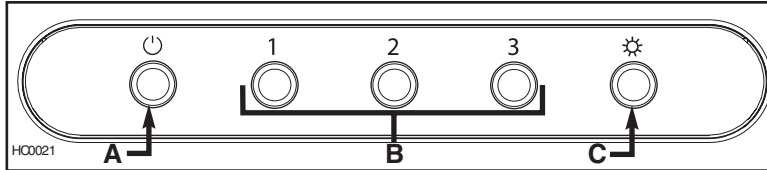
ENAMEL FINISH:

Clean with warm water and mild detergent only. If discoloration occurs, use a good enamel polish such as automotive polish. (DO NOT use rough abrasive cleaner or porcelain cleaner.)

11. OPERATION

Always turn on the hood before beginning cooking in order to establish an air flow in the kitchen. Let the blower run for a few minutes to clear the air after turning off the range.

MECHANICAL PUSH-BUTTON CONTROL



A. OFF BLOWER SWITCH:

Press on this switch to stop the blower operation.

B. SPEED BLOWER SWITCHES:

Press on left switch (1) to turn on the blower on low speed, on middle switch (2) to turn on the blower on medium speed, and on right switch (3) to turn on the blower on high speed.

C ON/OFF LIGHTING SWITCH:

Press on this switch to turn on the fluorescent lights, and press again to turn them off.

12. REPLACEMENT PARTS

Part no. (each)	Description	Qty per Hood
Z0B0024	Fluorescent Bulb, 13W G24	2
50200026	Metal Mesh Filter	2

ZEPHYR

www.zephyronline.com



TO OBTAIN SERVICE UNDER WARRANTY
or any Service Related Questions, please call:
1-888-880-8368

Staple your receipt here.
Proof of the original purchase
date is needed to obtain service
under the warranty.

TO OBTAIN SERVICE UNDER WARRANTY: You must present proof of original purchase date.
Please keep a copy of your dated proof of purchase (sales slip) in order to obtain service under warranty.

One Year Service Repair Warranty:

For one year from date of original purchase, we will provide free of charge, service labor to repair any failed parts or components due to manufacturing defects.

One Year Parts Warranty:

For one year from date of original purchase, we will provide free of charge, nonconsumable replacement parts or components that failed due to manufacturing defects. Consumable parts not covered by this warranty include: Light Bulbs, Metal and Charcoal Filters.

Who is Covered:

This warranty is extended to the original purchaser for products purchased for ordinary home use in the 48 mainland states, Hawaii and Washington D.C. In Canada and Alaska, this warranty is Limited. There might be costs associated with shipping the products to our designated service locations or you might need to pay service technician's travel costs, to have the appliance repaired in-home.

This Warranty will be Voided when:

Product damaged through negligence, misuse, abuse, accident. Improper installation and failure to follow installation instructions. When product is used commercially or other than its intended purpose. Damaged because of improper connection with equipment of other manufacturers. Repaired or modified by anyone other than Zephyr's Authorized Agents.

What is Not Covered:

Consumable parts such as light bulbs, filters, and fuses. Services outside of service area and the labor cost incurred in connection with the removal, shipping and reinstallation cost, nor does it cover any other contingent expenses. The natural wear of finish, and wear due to improper maintenance, use of corrosive and abrasive cleaning products, pads, and oven cleaner products. Chips, dents or cracks due to abuse, misuse, freight damage, or improper installation. Service trips to your home to teach you how to use the product. Damage of product caused by accident, fire, floods or act of God.

This warranty is valid in the United States and Canada. It is non-transferable and applies only to the original purchaser and does not extend to subsequent owners of this product. Any applicable implied warranties, including the warranty of merchantability, are limited in duration to a period of express warranty as provided herein beginning with the date of original purchase at retail and, no warranties, whether express or implied, shall apply to this product thereafter.

Have your product proof of purchase with date ready for warranty issues.
Or write to:

**Zephyr Corporation
Service and Warranty Department
395 Mendell Street
San Francisco, CA 94124**