

Protective Vinyl Cover

Vinyl Cover	Hood Compatibility
AK0636AB	AK7836ASX
AK0642AB	AK7842ASX
AK0648AB	AK7848ASX

READ AND SAVE THESE INSTRUCTIONS

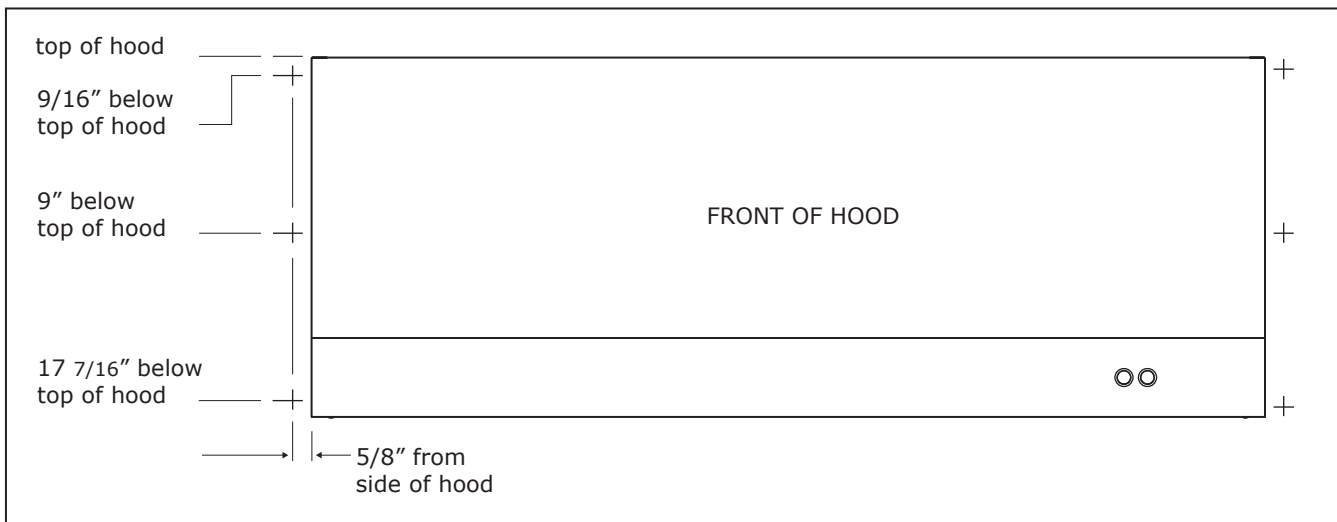


Fig.01

⚠ WARNING: Remove hood cover before operating grill.

Note: Range hood must be installed prior to installing the protective vinyl cover.

Step1:

Mark wall in 3 places on the left and right sides of hood as shown in **Fig. 01**

Step 2:

Use #6 flat-head screws to secure buttons to wall at marked locations. **Fig. 02** Determine the length of screws for your application (minimum 1/2"). Wall anchors may be necessary in some applications. Purchase screws and wall anchors separately.

Slide vinyl cover over hood and snap onto buttons.

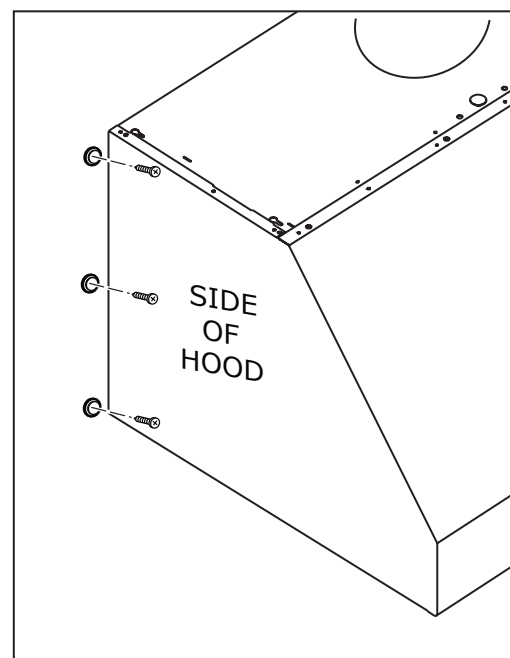


Fig.02