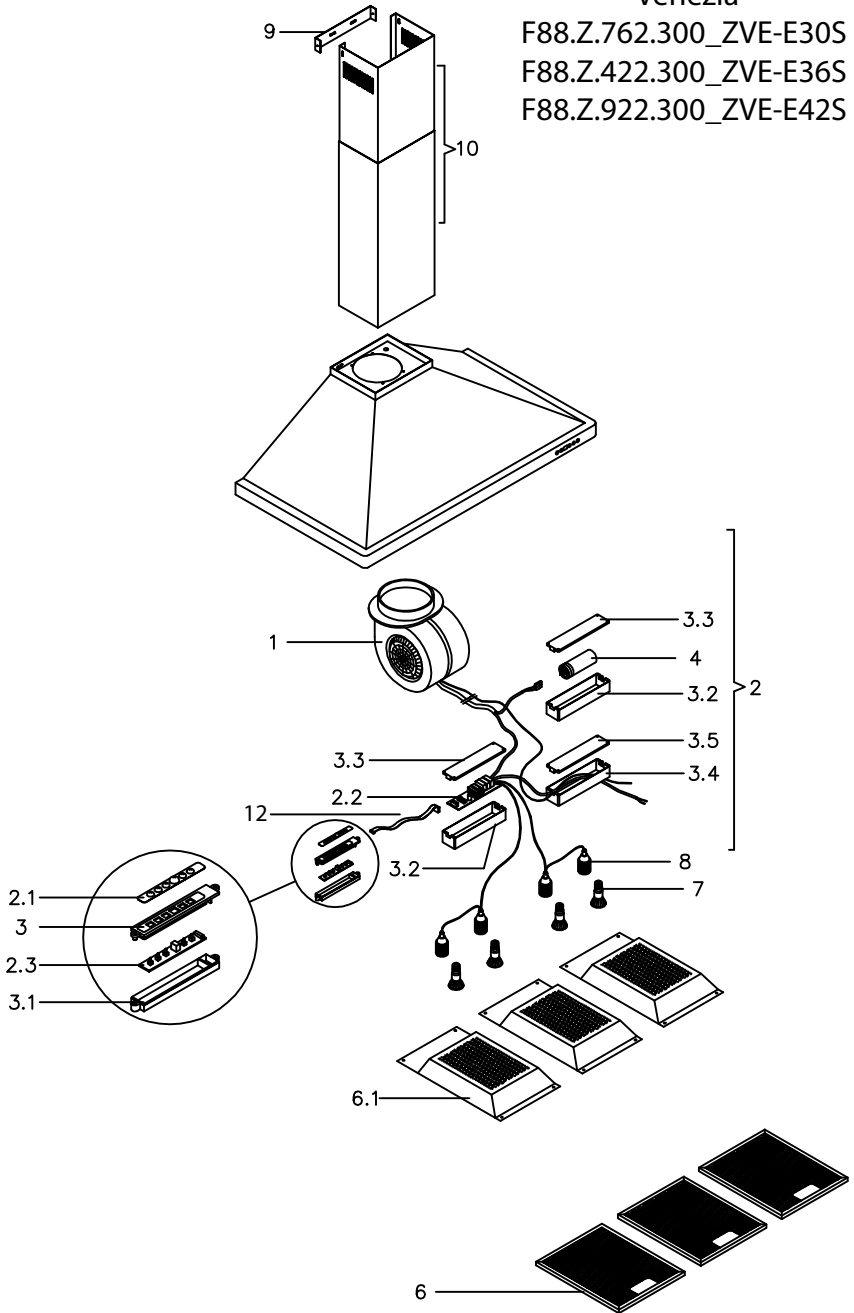


Venezia

F88.Z.762.300\_ZVE-E30S

F88.Z.422.300\_ZVE-E36S

F88.Z.922.300\_ZVE-E42S



**ZVE-E30S, ZVE-E36S, ZVE-E42S**

Ref #	Part #	Description
1	12120007	Motor
2	12130011	Motor Assembly Kit (ZVE-E36,42)
2	12130005	Motor Assembly Kit (ZVE-E30)
2.1	52050008	Membrane
2.2	11010009	Control Module
2.3	11010018	LED/Switch Board
3	56210010	LED/Switch Board Cover
3.1	56200032	LED/Switch Board Box
3.2	56200003	Component Box
3.3	56210009	Component Box Cover
3.4	56200005	Electrical Box
3.5	56210013	Electrical Box Cover
4	12050005	Capacitor
6	Z0F-M042	Filter, Metallic (2pk) (ZVE-E30)
6	Z0F-M043	Filter, Metallic (3pk) (ZVE-E36,42)
6.1	54170003	Diffuser Panel
7	Z0B-0011	Light Bulb, JDR-E27, 50W
8	12100012	Light Socket
9	05000026	Hardware Packet w/Bracket
10	50050020	Duct Covers, Replacement
12	11030007	Cable Interconnect