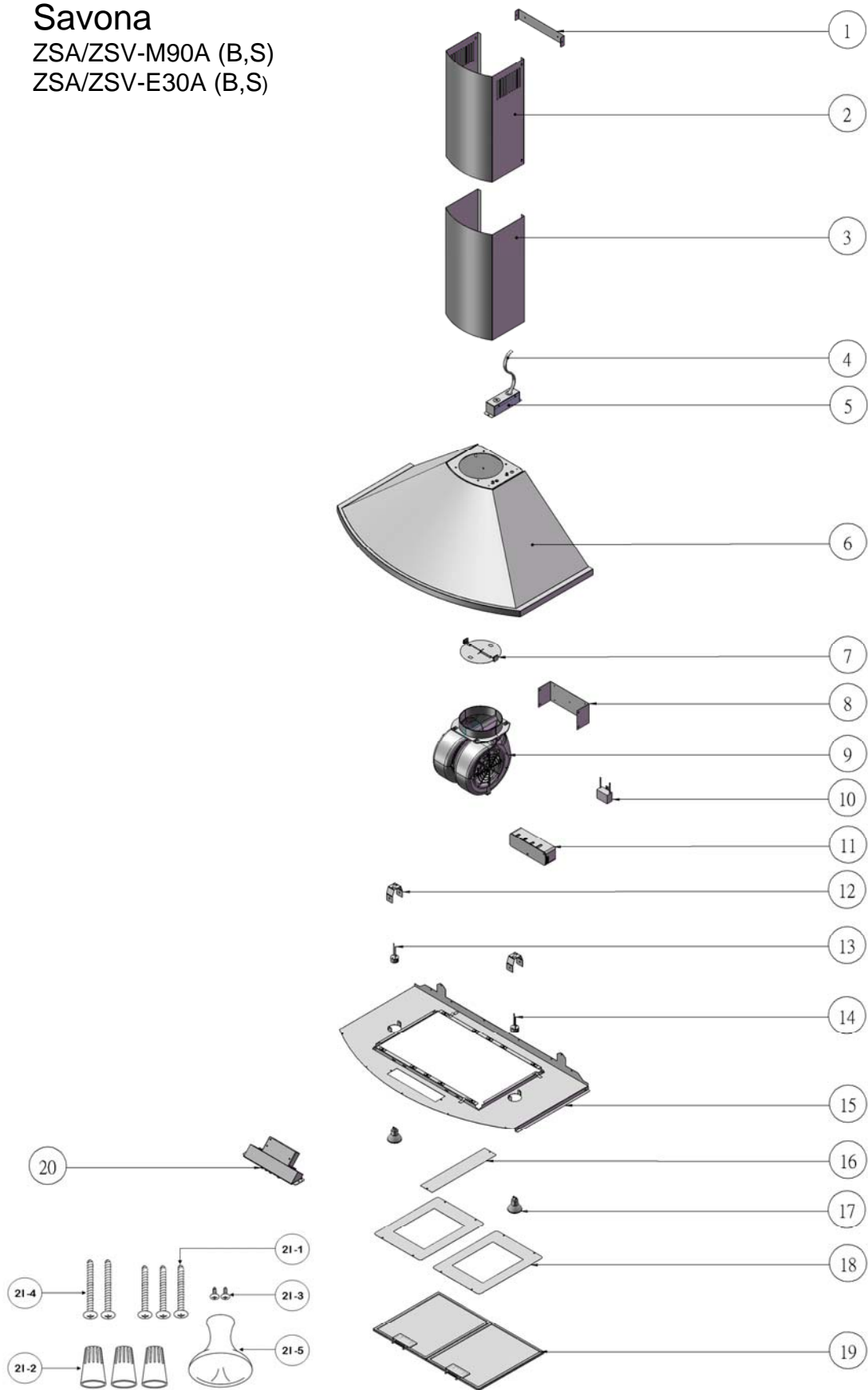


# Savona

ZSA/ZSV-M90A (B,S)  
ZSA/ZSV-E30A (B,S)





# Savona

ZSA/ZSV-M90A (B,S), ZSA/ZSV-E30A (B,S)

sB

Ref #	Part #	Description	Qty.
1	54110051	Bracket, Duct Cover	1
2	50050059	Duct Cover, Upper, Stainless	1
2	50050060	Duct Cover, Upper, Black	1
3	50050061	Duct Cover, Lower, Stainless	1
3	50050062	Duct Cover, Lower, Black	1
4	11030028	Power Cord	1
5	50500043	Junction Box Assembly	1
7	54060007	Damper	1
8	54140065	Bracket, Motor	1
9	12120043	Motor w/Wires 685 cfm (ZSA)	1
9	12120053	Motor w/Wires 290 cfm (ZSV)	1
10	12050015	Capacitor	1
11	50500046	Electrical Box Assembly	1
12	54140066	Bracket, Light Socket	2
13	12100042	Light Socket, Left	1
14	12100043	Light Socket, Right	1
15	50130082	Bottom Panel, 36" Stainless	1
15	50130083	Bottom Panel, 36" Black	1
15	50130084	Bottom Panel, 30" Stainless	1
15	50130085	Bottom Panel, 30" Black	1
16	50110072	Light Panel	1
17	Z0B-0020S	Halogen Light Bulb, GU-10 50w	2
18	54140063	Bracket, Carbon Filter	2
19	50200011	Filter, Metal Mesh	2
20	11000041	Switch Assembly, Stainless	1
20	11000042	Switch Assembly, Black	1
20-1	56210050	Cover, Switch Housing, Stainless	1
20-1	56210051	Cover, Switch Housing, Black	1
21	05000060	Hardware Packet	1
21-1	01090001	Screw, M6 x 1"	3
21-2	00100013	Wire Nut	3
21-3	01070006	Screw, M4 x 8mm	2
21-4	01070015	Screw, M4 x 1 1/4"	2
21-5	15000004	Suction Cup	1