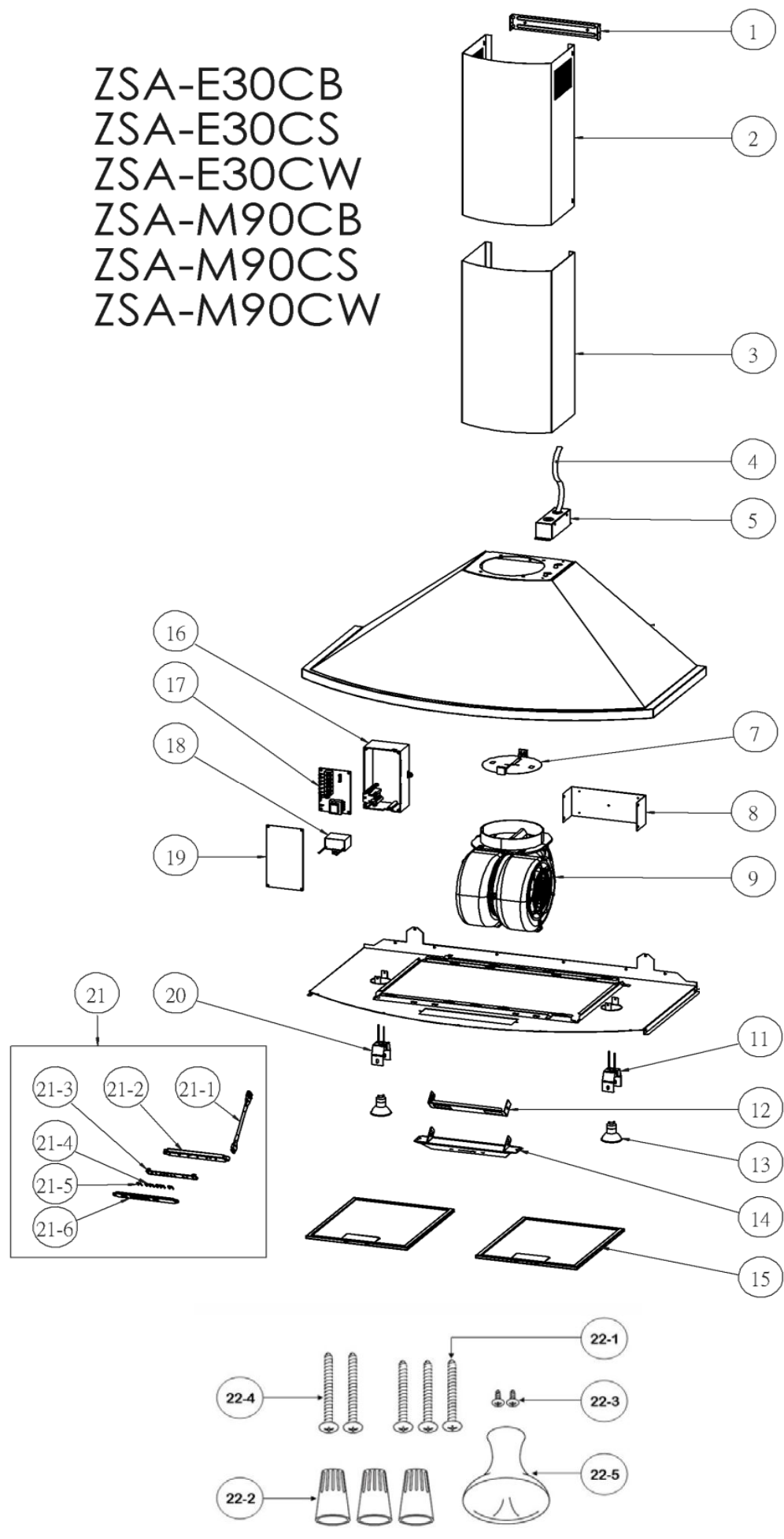


ZSA-E30CB  
ZSA-E30CS  
ZSA-E30CW  
ZSA-M90CB  
ZSA-M90CS  
ZSA-M90CW



## ZSA-E30C(B,S,W), ZSA-M90C(B,S,W)

Ref #	Part #	Description	Qty.
1	54110051	Bracket, Duct Cover	1
2	50050059	Upper Duct Cover, SS	1
2	50050060	Upper Duct Cover, Black	1
2	50050151	Upper Duct Cover, White	1
3	50050061	Lower Duct Cover, SS	1
3	50050062	Lower Duct Cover, Black	1
3	50050152	Lower Duct Cover, White	1
4	11030015	Wires, Electrical	1
5	56200081	Electrical Box	1
7	54060007	Damper, 6" Round	1
8	54140065	Bracket, Motor	1
9	12120043	Motor, 685 CFM	1
10	11030094	Cable, Switch, Long	1
11	50500137	Light Socket Assembly, Right	1
12	50100027	Panel, Switch	1
13	Z0B-0020	Bulb, Halogen, GU-10, 50W	2
14	56200083	Housing, Switch, SS	1
14	56200084	Housing, Switch, Black	1
14	56200087	Housing, Switch, White	1
15	50200011	Filter, Aluminum Mesh	2
16	54200020	Component Box	1
17	11010059	Control Board	1
18	12050021	Capacitor	1
19	56210067	Cover, Component Box	1
20	50500138	Light Socket Assembly, Left	1
21	11000083	Switch Assembly, SS	1
21	11000084	Switch Assembly, Blk/Wht	1
21-1	11030080	Cable, Switch, Short	1
21-2	56200082	Housing, Switch	1
21-3	11010062	Switch Board	1
21-4	56240020	Switch Spacer, Small	2
21-5	56240021	Switch Spacer, Large	2
21-6	52170060	Cover, Switch	1
22	05000060	Hardware Packet	1
22-1	01090001	Screw, M6 x 1"	3
22-2	15000002	Wire Nuts	3
22-3	01070006	Screw, M4 x 8mm	2
22-4	01070015	Screw, M4 x 1 1/2"	2
22-5	15000004	Suction Cup	1