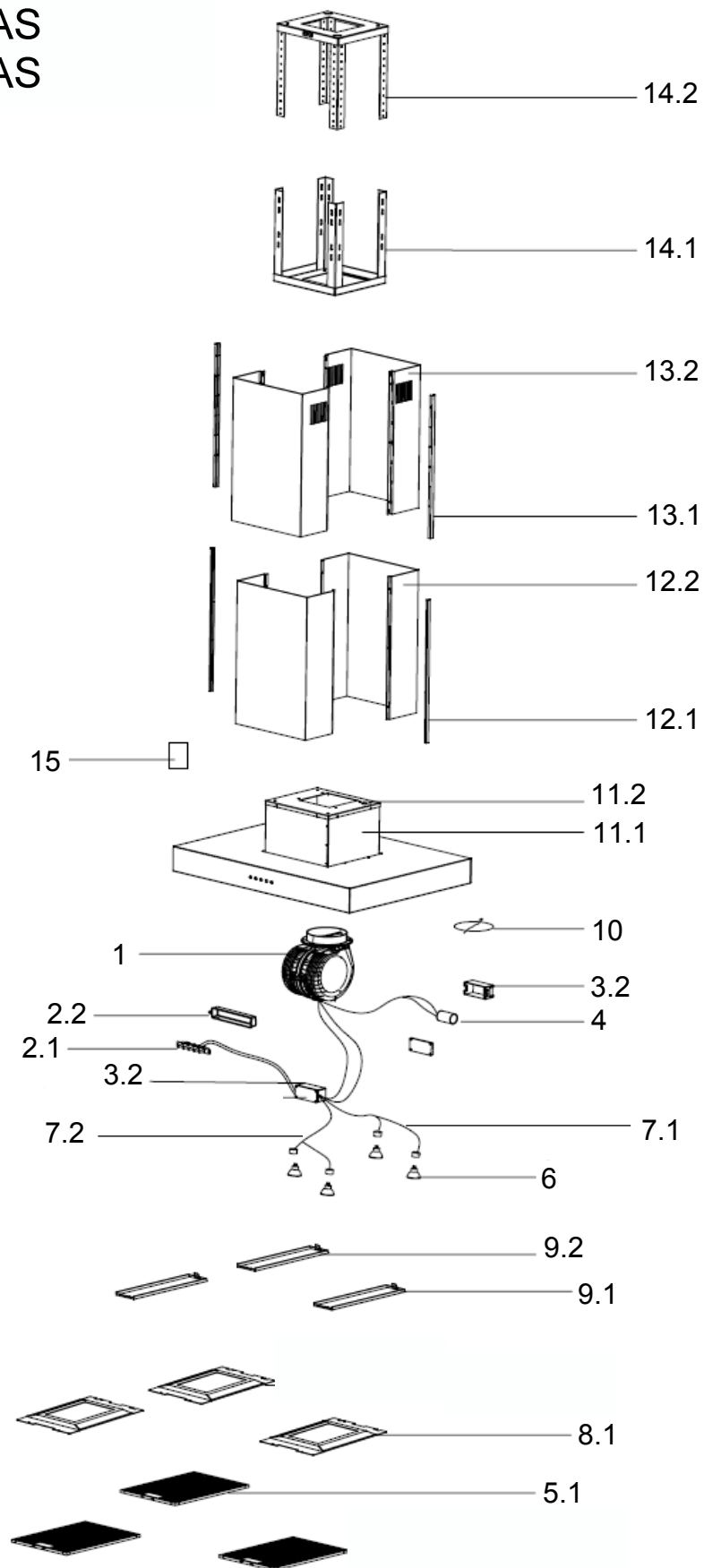


Roma Island

ZRM-E36AS

ZRM-E42AS





Roma Island

ZRM-E36AS, ZRM-E42AS

Ref #	Part #	Description	Qty.
1	12120013	Motor	1
2.1	11000011	Switch Assembly	1
2.2	56200055	Switch Housing	1
3.2	56210023	Box, Component w/ Cover	1
4	12050008	Capacitor	1
5.1	50200018	Filter, Metal Mesh (42" x 3)	2
6	Z0B-0020S	Halogen Bulb GU-10, 120v 50w	4
7.1	12100039	Light Socket Set w/ Long wire	1
7.2	12100040	Light Socket Set w/ Short wire	1
8.1	54140042	Bracket, Charcoal Filter (42" x 3)	2
9.1	50130072	Plate, Bottom (ZRM-E36AS)	2
9.2	50130073	Plate, Bottom (ZRM-E42AS)	3
10	54060001	Damper	1
11.1	56100017	Motor Housing	1
11.2	54210002	Cover, Motor Housing	1
12.1	50170028	Trim, Bottom Duct Cover	2
12.2	50050047	Duct Cover, Bottom	2
13.1	50170029	Trim, Top Duct Cover	2
13.2	50050048	Duct Cover, Top	2
14.1	54110041	Bracket, Mounting Bottom	1
14.2	54110042	Bracket, Mounting Top	1
15	05000050	Hardware Packet	1

NOV07.0101