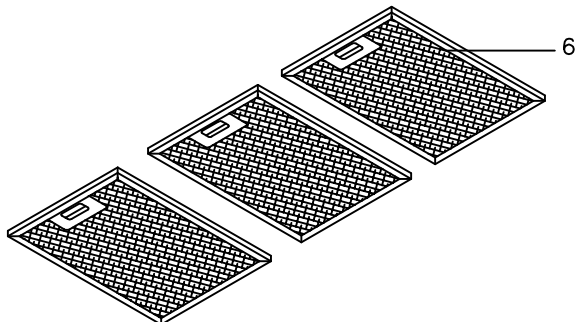
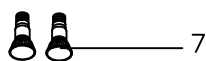
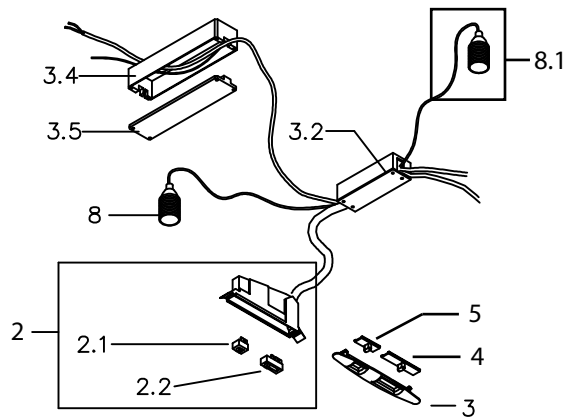
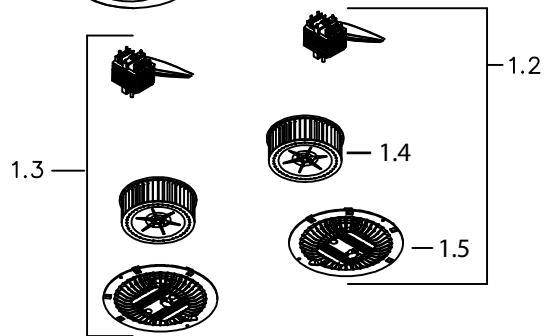
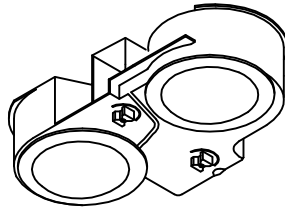
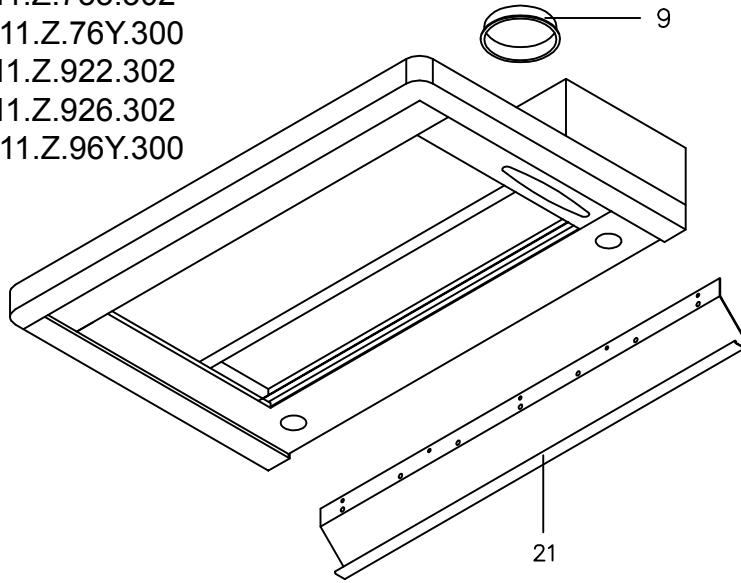


# PYRAMID

ZPY-E30S - K11.Z.762.302  
ZPY-E30B - K11.Z.733.302  
ZPY-E30W - K11.Z.76Y.300  
ZPY-E36S - K11.Z.922.302  
ZPY-E36B - K11.Z.926.302  
ZPY-E36W - K11.Z.96Y.300



**ZPY-E30x, ZPY-E36x**

(starting from serial #1318907AGX)

Ref. #	Part #	Description
1.2	12130025	Motor Assembly, Right
1.3	12130026	Motor Assembly, Left
1.4	56110001	Blower Wheel
1.5	56120001	Basket
2	11000006	Switch Assembly
2.1	11040002	Switch, Light
2.2	11040003	Switch, Motor
2.3	11000006	Switch Assembly
3	52170015	Cover Plate, Switch
3.2	56200004	Component Box w/Cover
3.4	56200003	Electrical Box
3.5	56210009	Electrical Box Cover
4	52170064	Motor Switch Cover
5	52170065	Light Switch Cover
6	50200011	Filter, Metallic
7	Z0B-0011	Light Bulb, JDR-E27 50W
8	12100012	Light Socket
8.1	11020025	Light Socket w/wire
9	05000028	Starting Collar w/Damper and Hardware Package
21	50320007	Utensil Bar, 30" Stainless
21	50320008	Utensil Bar, 30" Black
21	50320009	Utensil Bar, 30" White
21	50320011	Utensil Bar, 36" Stainless
21	50320010	Utensil Bar, 36" Black
21	50320012	Utensil Bar, 36" White