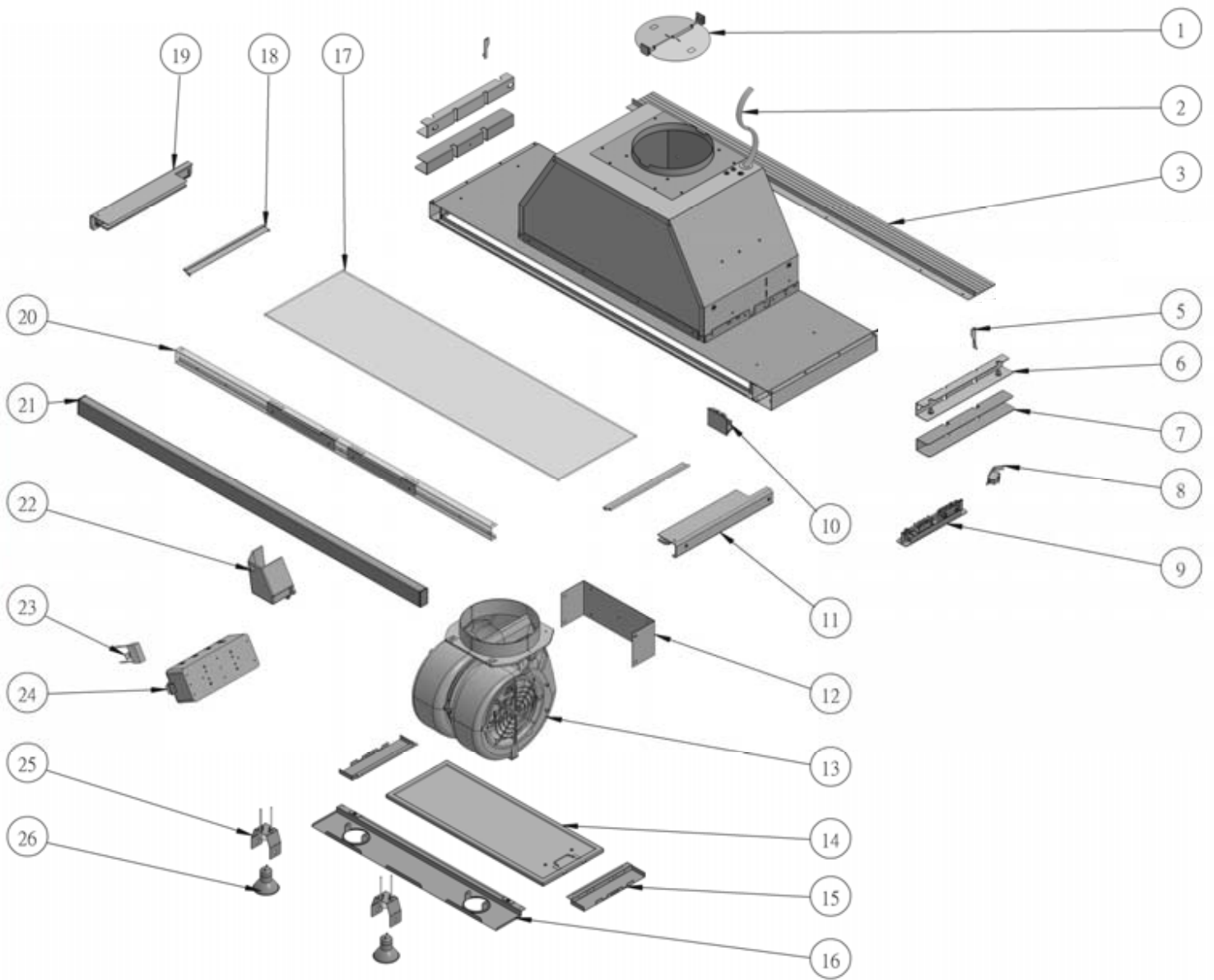


ZPI-E30AG290  
ZPI-E30AW290  
ZPI-E36AG290



**ZPI-E30AG290, ZPI-E30AW290, ZPI-E36AG290**

<b>Ref #</b>	<b>Part #</b>	<b>Description</b>	<b>Qty.</b>
1	54060007	Damper, 6" Round	1
2	11030028	Wires, Electrical	1
3	50120090	Spacer Panel (30")	1
3	50120095	Spacer Panel (36")	1
5	54150007	Spring Clip, Mounting	2
6	54140083	Mounting Bracket, Upper	2
7	54140171	Mounting Bracket, Lower	2
8	11040028	Safety On/Off Switch	1
9	11000088	Switch Assembly	1
10	52170062	Switch Cover (SS)	1
10	52170077	Switch Cover (White)	1
11	54110093	Canopy Mount & Slider, Right	1
12	54140065	Bracket, Motor	1
13	12120053	Motor, 290 CFM	1
14	50200054	Filter, Aluminum Mesh	1
15	50120096	Panel, Side (36")	2
16	50110170	Panel, Light (36")	1
17	50300114	Canopy, Glass (30")	1
17	50300131	Canopy, Glass (36")	1
18	54190043	Plate, Canopy	2
19	54110094	Canopy Mount & Slider, Left	1
20	54140172	Bracket, Front (30")	1
20	54140200	Bracket, Front (36")	1
21	50140119	Face Plate, Canopy (SS, 30")	1
21	50140129	Face Plate, Canopy (SS, 36")	1
21	50140136	Face Plate, Canopy (White, 30")	1
21-1	56140014	Cap, Face Plate (SS)	2
21-1	56140017	Cap, Face Plate (White)	2
22	54200012	Electrical Box	1
23	12050012	Capacitor	1
24	50500086	Junction Box	1
25	50500140	Light Socket Assembly	2
26	Z0B-0020	Bulb, Halogen, GU-10, 50W	2

27	05000099	Hardware Packet (30")	1
27	05000115	Hardware Packet (36")	1
27-1	01650001	Screw, 3/16 x 3/8	4
27-2	01070007	Screw, M4 x 16mm (3/8")	4
27-3	01090001	Screw, M6 x 1"	2
27-4	15000002	Wire Cap	3
27-5	01650004	Screw, 3/16 x 40mm	4
27-6	01060013	Screw, M3.5 x 10mm	5
27-7	01070002	Screw, M4 x 8mm	2
27-8	15000004	Suction Cup	1

MAY17.0501