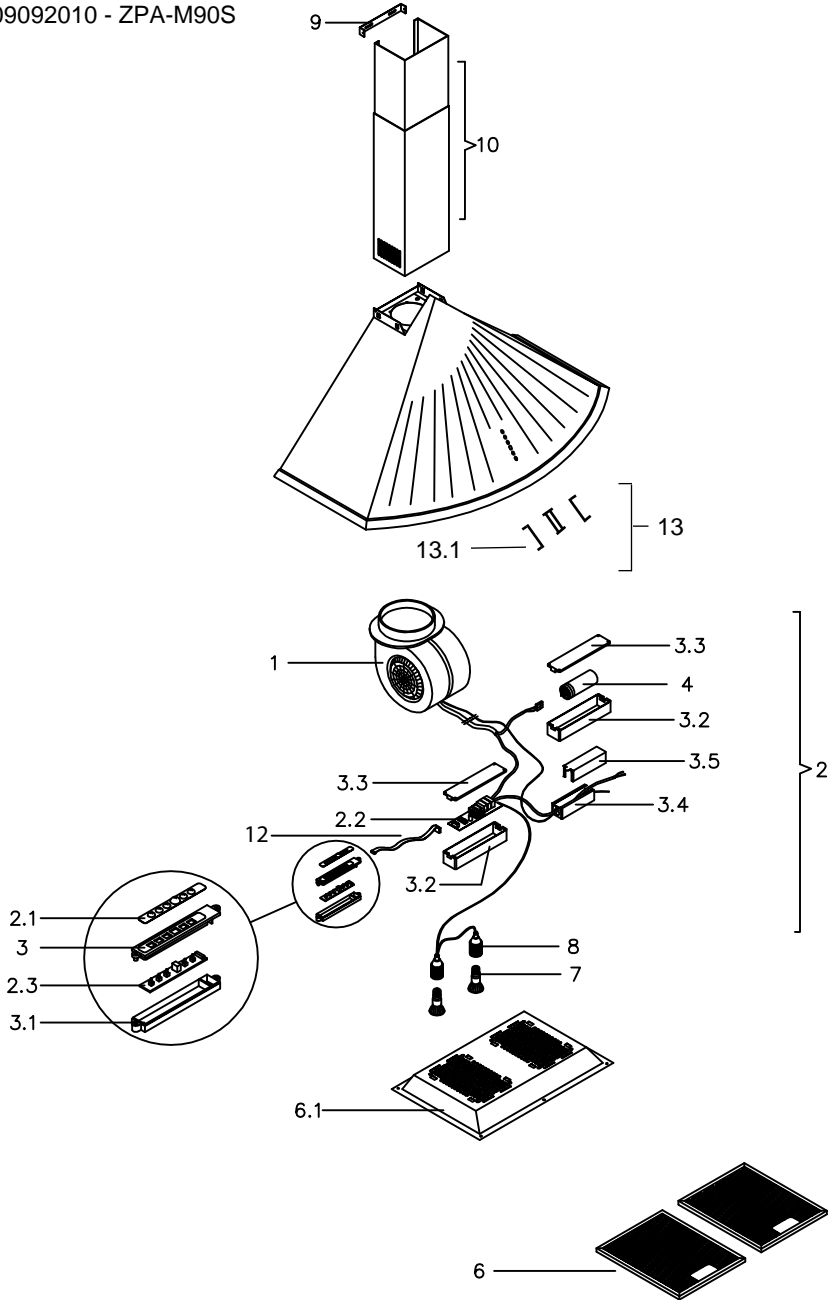


Palermo

9K09092010 - ZPA-M90S



ZPA-M90S

Ref #	Part #	Description
1	12120004	Motor
2	12130006	Motor Assembly Kit
2.1	52050009	Membrane
2.2	11010009	Control Module
2.3	11010019	LED/Switch Board
3	56210010	LED/Switch Board Cover
3.1	56200032	LED/Switch Board Box
3.2	56200003	Component Box
3.3	56210009	Component Box Cover
3.4	56200006	Electrical Box
3.5	56210014	Electrical Box Cover
4	12050005	Capacitor
6	Z0F-M032	Filter, Metallic (2pk)
6.1	54170004	Diffuser Panel
7	Z0B-0011	Light Bulb, JDR-E27, 50W
8	12100012	Light Socket
9	05000027	Hardware Packet w/Bracket
10	50050006	Duct Cover, Replacement, Bottom Section
	50050028	Duct Cover, Replacement, Top Section
12	11030007	Cable Interconnect
13	54260001	Switch Bracket Assembly
13.1	54130003	Switch Wall Bracket