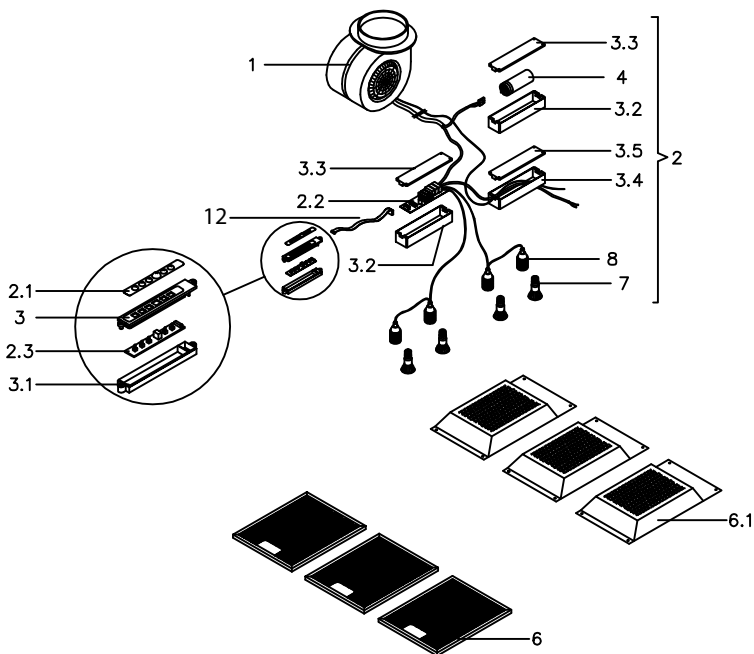
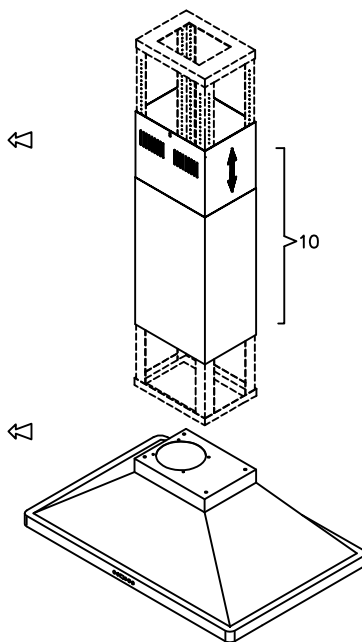
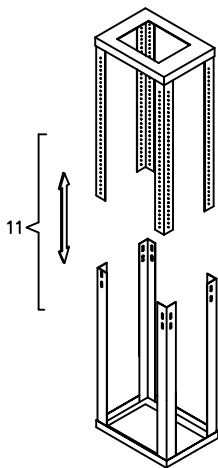


Napoli Island

K20.Z.422.301_ZNA-E42S

K20.Z.902.301_ZNA-E90S



ZNA-M90S, ZNA-E42S

Ref #	Part #	Description
1	12120003	Motor
2	12130007	Motor Assembly Kit
2.1	52050008	Membrane
2.2	11010009	Control Module
2.3	11010018	LED/Switch Board
3	56210010	LED/Switch Board Cover
3.1	56200032	LED/Switch Board Box
3.2	56200003	Component Box
3.3	56210009	Component Box Cover
3.4	56200005	Electrical Box
3.5	56210013	Electrical Box Cover
4	12050005	Capacitor
6	Z0F-M043	Filter, Metallic (3pk)
6.1	54170003	Diffuser Panel
7	Z0B-0011	Light Bulb, JDR-E27, 50W
8	12100012	Light Socket
10	50050021	Duct Cover, Replacement
11	54110009	Mounting Brackets, Duct Covers
	05000029	Hardware Packet