



ELICA

COLLECTION

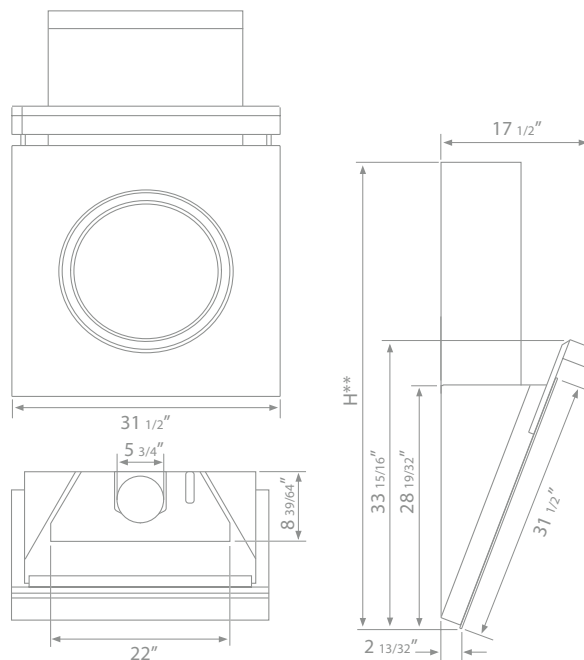
OM

A mantra of daring design that puts personal style first.

Make no mistake. Om is built for top-tier performance: air flows from the center outward to the perimeter of the circle for superior power and efficiency. But the essence of Om lies in its gently forward-leaning surface and circular motif, which bring new energy into the modern home. Define your kitchen. And make Om your own.



ELICA COLLECTION



WALL
OM

MODEL	EOM-M80A
SIZE	80cm
NET WIDTH	31 1/2"
PERFORMANCE	
Internal Blower CFM	450
Sones	3
Boost Sones	4
COLOR/FINISH	
Black/B White/W	B, W
FEATURES & ACCESSORIES	
Controls	Touch Screen
Speed Levels	3
Boost Speed	Yes
Lighting	Halogen 20w 12v x 4
Dual Level Lighting	Yes
RF Remote	Yes
Passive Silencer	Yes
DUCT SPECIFICATIONS	
Ducting	6" round vertical
Recirculating	3 1/4 x 10" rectangular horizontal



The ingenious conical remote control is more than a conversation piece—it puts you in charge of power and light from a distance.

*No Duct Cover	Min. ceiling height 7'6". Hood mounted 20" above cooking surface; 56" from floor.	Min. ceiling height 8'2". Hood mounted 28" above cooking surface; 64" from floor.
H *Standard Duct Cover	Min. ceiling height 7'11". Hood mounted 20" above cooking surface; 56" from floor.	Max. ceiling height 9'3". Hood mounted 28" above cooking surface; 64" from floor.
H *Extended Duct Cover	Min. ceiling height 8'8". Hood mounted 20" above cooking surface; 56" from floor.	Max. ceiling height 10'9". Hood mounted 28" above cooking surface; 64" from floor.

*Mounting height is measured from the bottom of hood. **Duct covers sold separately.