



ELICA

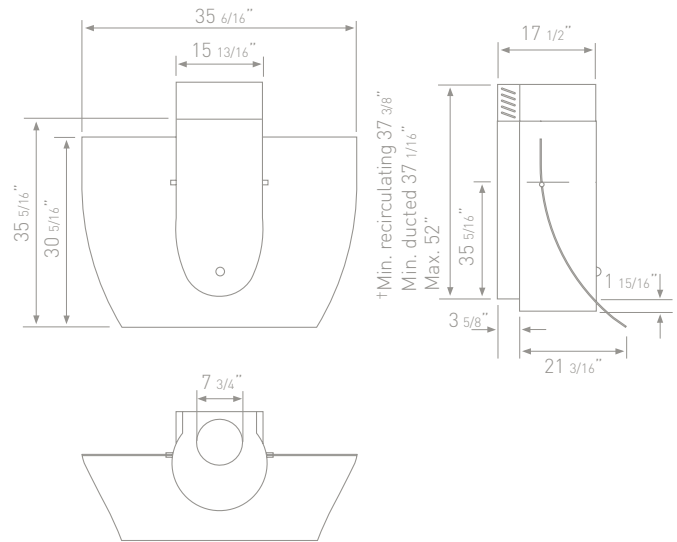
COLLECTION

CONCAVE

Whether you are looking for contrast or complement to today's linear kitchen surfaces, David Lewis' Concave is a curvilinear tour de force. The radical interplay of sweeping angles is a feast for the eyes. Even the smallest details carry through the curved theme. Elica's patented Control Ball is inspired simplicity itself: a touch to the left adjusts the lighting; a touch to the right sets the level of aspiration. A pair of circular stainless steel posts suspends the aluminum wing, done in a cool-blue David Lewis signature hue. And uniform strokes of brushed steel complete the design's dramatic upward sweep.



ELICA COLLECTION



†Ductless (Recirculating); louver holes exposed.
Note: if necessary order the proper duct cover extension kit.

CONCAVE

WALL

MODEL	ECO-M90AS
SIZE	90cm
NET WIDTH	35 3/8"
PERFORMANCE	
Internal Blower CFM	600
Sones	6
Boost Sones	9
COLOR/FINISH	
Stainless Steel w/Blue Canopy	S
FEATURES & ACCESSORIES	
Controls	Control Ball
Speed Levels	3
Boost Speed	Yes
Lighting	Halogen 20w 12v x 2
Dual Level Lighting	Yes
RF Remote	Yes
Passive Silencer	Yes
DUCT SPECIFICATIONS	
Ducting	8"
Recirculating	Yes



The ingenious conical remote control is more than a conversation piece—it puts you in charge of power and light from a distance.

Mounting Heights (Ducted) (Louver holes hidden)	Min. ceiling height 8'. Hood mounted 24" above cooking surface; 60" from floor.	Max. ceiling height 10'. Hood mounted 32" above cooking surface; 68" from floor.
Mounting Heights (Recirculating) (Louver holes exposed)	Min. ceiling height 8'1". Hood mounted 24" above cooking surface; 60" from floor.	Max. ceiling height 10'. Hood mounted 32" above cooking surface; 68" from floor.