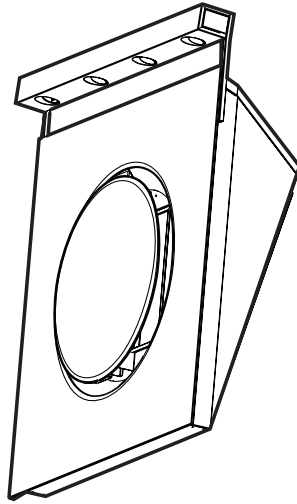


# Use, Care, and Installation Guide

Guide d'utilisation, d'entretien et d'installation  
Guía de instalación, uso y mantenimiento

Om

EOM-M80AW  
EOM-M80AB



Model number:  
Numéro de modèle: \_\_\_\_\_  
Número de modelo: \_\_\_\_\_

Serial number:  
Numéro de série : \_\_\_\_\_  
Número de serie: \_\_\_\_\_

Date of Purchase:  
Date d'achat : \_\_\_\_\_  
Fecha de compra: \_\_\_\_\_

Sales Dealer:  
Détaillant: \_\_\_\_\_  
Distribuidor: \_\_\_\_\_

JAN06.0101

**READ AND SAVE THESE INSTRUCTIONS**  
LISEZ CES INSTRUCTIONS ET CONSERVEZ-LES  
LEA Y GUARDE ESTAS INSTRUCCIONES



---

<b>E page</b>	<b>2</b>
<b>F page</b>	<b>25</b>
<b>S page</b>	<b>50</b>

**APPROVED FOR RESIDENTIAL APPLIANCES  
FOR RESIDENTIAL USE ONLY  
READ AND SAVE THESE INSTRUCTIONS**

**PLEASE READ ENTIRE INSTRUCTIONS BEFORE PROCEEDING.**

**INSTALLATION MUST COMPLY WITH ALL LOCAL CODES.**

**IMPORTANT: Save these Instructions for the Local Electrical Inspector's use.**

**INSTALLER: Please leave these Instructions with this unit for the owner.**

**OWNER: Please retain these instructions for future reference.**

**Safety Warning: Turn off power circuit at service panel and lock out panel, before wiring this appliance.**

**Requirement: 120 V AC, 60 Hz. 15 or 20 A Branch Circuit**

**Important safety Notice** ..... 4

**Electrical & Installation requirements** ..... 5

    Electrical requirements ..... 5

    Before installing the hood ..... 5

**List of Materials** ..... 6

    Parts supplied: ..... 6

    Parts not supplied ..... 6

**Dimensions and clearances** ..... 7

**Installation Instructions** ..... 8

    Venting methods ..... 8

    Preparation ..... 8

**Installation - Ductwork Calculation Sheet** ..... 9

**Installation- Discharge direction** ..... 10

**Installation** ..... 12

    Electrical connection ..... 14

**Description of the hood** ..... 16

    Controls ..... 17

    Remote Control ..... 18

**Maintenance** ..... 19

    Cleaning ..... 19

    Grease filter ..... 19

    Replacing the light bulb: ..... 19

    Trouble Shooting ..... 20

**Warranty** ..... 21

**List of Parts and Accessories** ..... 22

# READ AND SAVE THESE INSTRUCTIONS

## Important safety Notice

### CAUTION:

**FOR GENERAL VENTILATING USE ONLY. DO NOT USE TO EXHAUST HAZARDOUS OR EXPLOSIVE MATERIALS OR VAPORS.**

### WARNING

**TO REDUCE THE RISK OF FIRE, ELECTRIC SHOCK, OR INJURY TO PERSONS, OBSERVE THE FOLLOWING:**

- A. Use this unit only in the manner intended by the manufacturer. If you have questions, contact the manufacturer.
- B. Before servicing or cleaning the unit, switch power off at service panel and lock service panel disconnecting means to prevent power from being switched on accidentally. When the service disconnecting means cannot be locked, securely fasten a prominent warning device, such as a tag, to the service panel.
- C. Installation Work and Electrical Wiring Must Be Done By Qualified Person(s) In Accordance With All Applicable Codes & Standards, Including Fire-rated Construction.
- D. Sufficient air is needed for proper combustion and exhausting of gases through the flue (chimney) of fuel burning equipment to prevent back-drafting. Follow the heating equipment manufacturers guideline and safety standards such as those published by the National Fire Protection Association (NFPA), the American Society for Heating, Refrigeration and Air Conditioning Engineers (ASHRAE), and the local code authorities.
- E. When cutting or drilling into wall or ceiling, do not damage electrical wiring and other hidden utilities.
- F. Ducted systems must always be vented to the outdoors.

### CAUTION:

**To reduce risk of fire and to properly exhaust air, be sure to duct air outside - do not vent exhaust air into spaces within walls, ceilings, attics, crawl spaces, or garages.**

### WARNING

**TO REDUCE THE RISK OF FIRE, USE ONLY METAL DUCT WORK.**

Install this hood in accordance with all requirements specified.

### WARNING

**To Reduce The Risk Of Fire Or Electric Shock, Do Not Use This Hood With Any External Solid State Speed Control Device.**

### WARNING

**TO REDUCE THE RISK OF A RANGE TOP GREASE FIRE.**

- a) Never leave surface units unattended at high settings. Boilovers cause smoking and greasy spillovers that may ignite. Heat oils slowly on low or medium settings.
- b) Always turn hood ON when cooking at high heat or when flambeing food (i.e. Crepes Suzette, Cherries Jubilee, Peppercorn Beef Flambe').
- c) Clean ventilating fans frequently. Grease should not be allowed to accumulate on fan or filter.
- d) Use proper pan size. Always use cookware appropriate for the size of the surface element.

### WARNING

**TO REDUCE THE RISK OF INJURY TO PERSONS, IN THE EVENT OF A RANGE TOP GREASE FIRE, OBSERVE THE FOLLOWING:**

- a) SMOTHER FLAMES with a close-fitting lid, cookie sheet, or other metal tray, then turn off the gas burner or the electric element. BE CAREFUL TO PREVENT BURNS. If the flames do not go out immediately, EVACUATE AND CALL THE FIRE DEPARTMENT.
- b) NEVER PICK UP A FLAMING PAN - you may be burned.
- c) DO NOT USE WATER, including wet dishcloths or towels - a violent steam explosion will result.
- d) Use an extinguisher **ONLY** if:
  - 1) You know you have a class ABC extinguisher, and you already know how to operate it.
  - 2) The fire is small and contained in the area where it started.
  - 3) The fire department is being called.
  - 4) You can fight the fire with your back to an exit.

### OPERATION

- a. Always leave safety grills and filters in place. Without these components, operating blowers could catch onto hair, fingers and loose clothing.

The manufacturer declines all responsibility in the event of failure to observe the instructions given here for installation, maintenance and suitable use of the product. The manufacturer further declines all responsibility for injury due to negligence and the warranty of the unit automatically expires due to improper maintenance.

\* NOTE: Please check our website for revisions before doing any custom work.

## ELECTRICAL REQUIREMENTS

### Important:

Observe all governing codes and ordinances.

It is the customer's responsibility:

- To contact a qualified electrical installer.
- To assure that the electrical installation is adequate and in conformance with National Electrical Code, ANSI/NFPA 70 — latest edition\*, or CSA Standards C22.1-94, Canadian Electrical Code, Part 1 and C22.2 No.0-M91 - latest edition\*\* and all local codes and ordinances.

If codes permit and a separate ground wire is used, it is recommended that a qualified electrician determine that the ground path is adequate.

Do not ground to a gas pipe.

Check with a qualified electrician if you are not sure range hood is properly grounded.

Do not have a fuse in the neutral or ground circuit.

### IMPORTANT:

Save Installation Instructions for electrical inspector's use.

The range hood must be connected with copper wire only.

The range hood should be connected directly to the fused disconnect (or circuit breaker) box through metal electrical conduit.

Wire sizes must conform to the requirements of the National Electrical Code ANSI/NFPA 70 — latest edition\*, or CSA Standards C22.1-94, Canadian Electrical Code Part 1 and C22.2 No. 0-M91 - latest edition\*\* and all local codes and ordinances.

A U.L.- or C.S.A.-listed conduit connector must be provided at each end of the power supply conduit (at the range hood and at the junction box).

Copies of the standards listed may be obtained from:

\* National Fire Protection Association Batterymarch Park Quincy, Massachusetts 02269

\*\* CSA International 8501 East Pleasant Valley Road Cleveland, Ohio 44131-5575

## BEFORE INSTALLING THE HOOD

1. For the most efficient air flow exhaust, use a straight run or as few elbows as possible.  
**CAUTION:** Vent unit to outside of building, only.
2. At least two people are necessary for installation.
3. The hood is fitted with Screws and Drywall Anchors suitable for most surfaces, consult a Qualified Installer, check if they perfectly fit with your cabinet/wall.
4. Do not use flex ducting.
5. COLD WEATHER installations should have an additional backdraft damper installed to minimize backward cold air flow and a nonmetallic thermal break to minimize conduction of outside temperatures as part of the ductwork. The damper should be on the cold air side of the thermal break.  
The break should be as close as possible to where the ducting enters the heated portion of the house.
6. Make up air: Local building codes may require the use of Make-Up Air Systems when using Ducted Ventilation Systems greater than specified CFM of air movement.  
The specified CFM varies from locale to locale. Consult your HVAC professional for specific requirements in your area.

---

# List of Materials

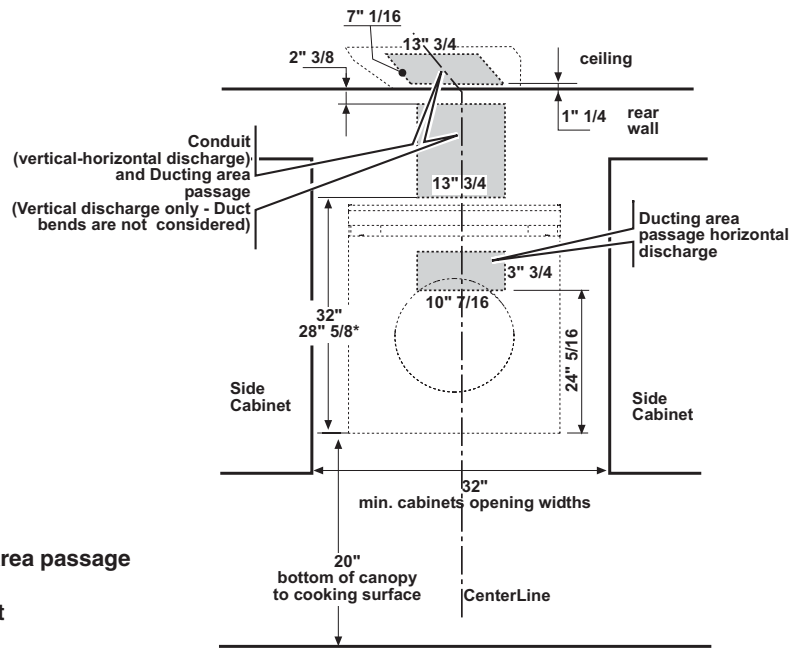
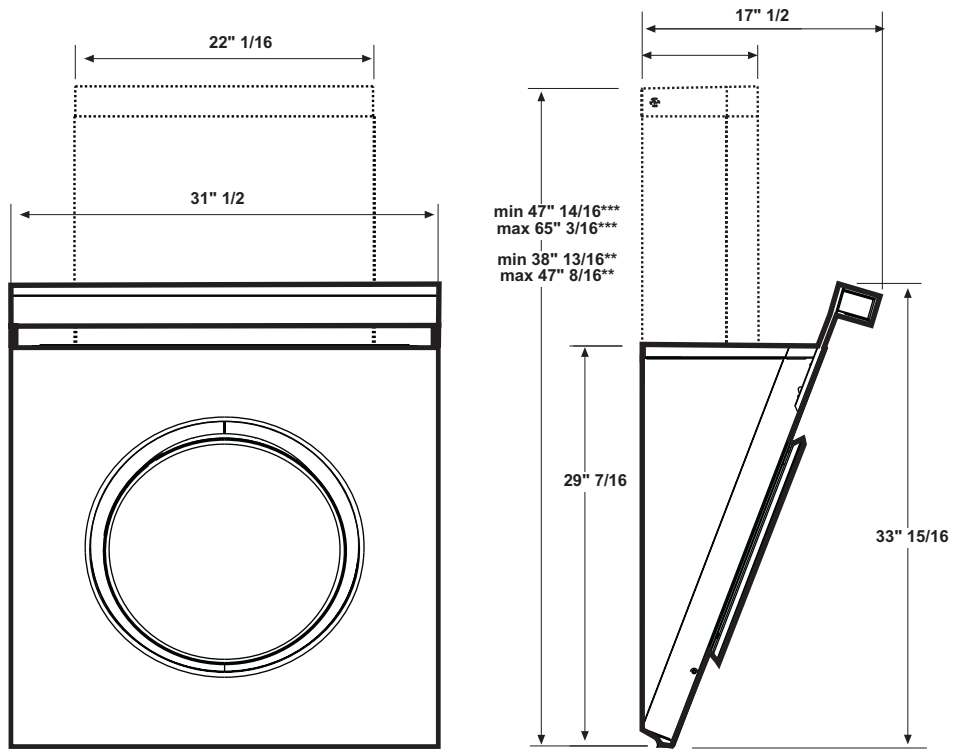
## PARTS SUPPLIED:

- Blower unit housing
- Top cover
- Hood canopy
- Metal grease filter x 1
- Halogen light bulb x 2
- Hardware Packet:
  - Remote Control
  - Transition for Rear/Horizontal discharge + backdraft damper
  - Allen spanner x 1
  - Hook x 2
  - Rubber tape (section in mm: 20x5) for back of range hood
  - Rubber tape (section in mm: 8x8) for hear/horizontal discharge Transition
  - Use, Care and Installation guide
  - Template
  - Screw 3,5x9,5 x 2 (to fix the transition on top of the hood - Vertical discharge)
  - Screw 5x45 x 8 (to fix the hood and to fix the transition on the rear wall - Horizontal discharge)
  - Screw 5x18 x 2 (Levelling screws)
  - Spacer x 2
  - Transition for Upper/Vertical discharge + backdraft damper
  - Cloth

## PARTS NOT SUPPLIED

- Duct, conduit and all tools required for installation.
- **Ductless Recirculating Kit**  
to be used only in the **Ductless (recirculating) version**  
**includes:** charcoal filter, charcoal filter support and fixing bracket, deflector
- Low duct cover kit
- Highduct cover kit

Dimensions and clearances



- \* Quote for conduit area passage
- \*\* Low duct cover kit
- \*\*\*High duct cover kit

**Note:** Duct cover kits are not supplied. Conduit and ducting area passage for vertical discharge may be different if range hood is installed without these kits.

# Installation Instructions

**Closely follow the instructions set out in this manual.**

All responsibility, for any eventual inconveniences, damages or fires caused by not complying with the instructions in this manual, is declined.

## VENTING METHODS

The hood is equipped to discharge of fumes to the outside towards the rear (**Ducting version - Horizontal discharge**). Fumes may be discharged towards the top side (**Ducting version - Vertical discharge**).

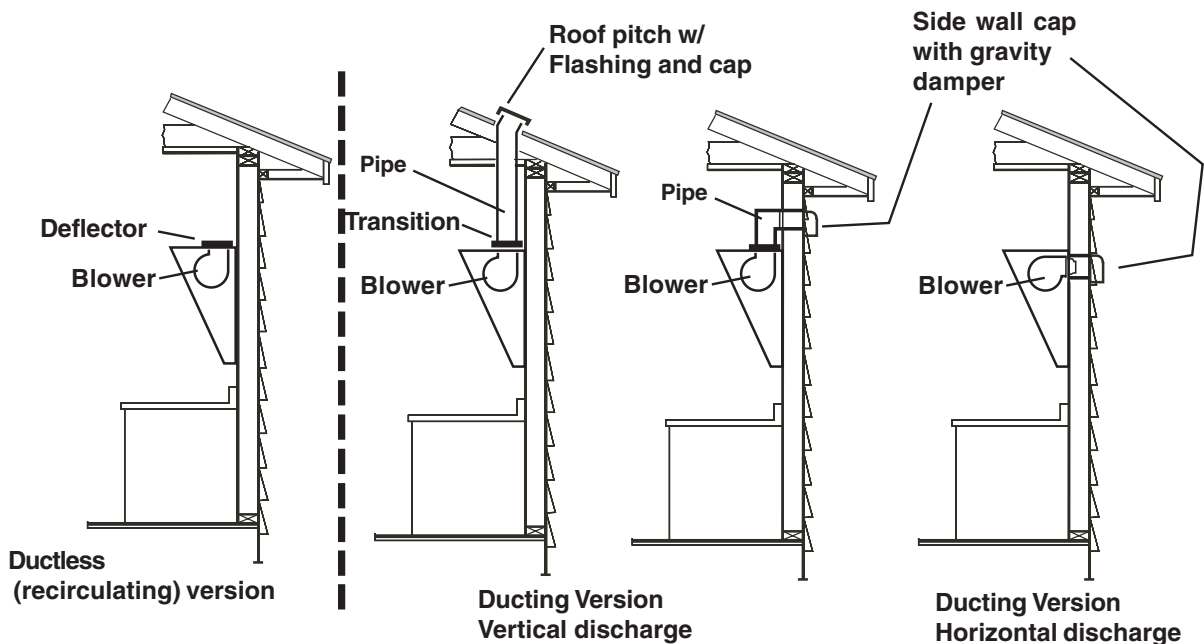
Should it not be possible to discharge cooking fumes and vapour to the outside, the hood can be used in the **Ductless (recirculating) version**. Attach a charcoal filter on the internal side of the metal filter and the deflector **F** on top of the range hood to cover the outlet of the blower.

**NOTE1: For ductless (recirculating) and for Ducting version - Vertical discharge:** Blower must be repositioned so that its outlet face the top side.

**NOTE2: For ductless (recirculating) version only: purchase the Ductless Recirculating Kit.**

**Minimum Duct Size (Ducting version - Vertical discharge): 6" Round Pipe.**

**Minimum Duct Size (Ducting version - Horizontal discharge): 3 1/4" x 10"**



## PREPARATION

Do not cut a joist or stud unless absolutely necessary. If a joist or stud must be cut, then a supporting frame must be constructed.

Fittings material is provided to secure the hood to most types of walls/ceilings.

However, a qualified technician must verify suitability of the materials in accordance with the type of wall/ceiling.

Before making cutouts, make sure there is proper clearance within the ceiling or wall for exhaust vent.

Hood installation height above cooktop is the users preference. The lower the hood above the cooktop, the more efficient the capturing of cooking odors, grease and smoke.

**The hood shall be installed at 20" minimum above the countertop.**

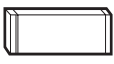
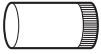
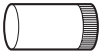
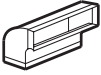
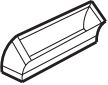



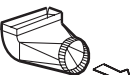


**Not recommended for use with pro style gas ranges.**

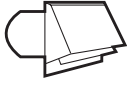


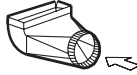


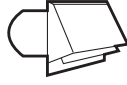


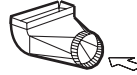
Check your ceiling height and the hood height maximum before you select your hood.

**Ductless (recirculating) version ONLY:** provide enough space on top of hood to let air recirculate in room.



**Installation - Ductwork Calculation Sheet**

Duct pieces		Equivalent number length x used =	Total
	3 1/4 " x 10" Rect., straight	1 Ft. x ( ) =	Ft.
	6 " Round., straight	1 Ft. x ( ) =	Ft.
	7", 8" Round., straight	1 Ft. x ( ) =	Ft.
	3 1/4 " x 10" Rect.90° elbow	15 Ft. x ( ) =	Ft.
	3 1/4 " x 10" Rect.45° elbow	9 Ft. x ( ) =	Ft.
	3 1/4 " x 10" Rect.90° flat elbow	24 Ft. x ( ) =	Ft.
	3 1/4 " x 10" Rect. wall cap with damper	30 Ft. x ( ) =	Ft.
	3 1/4 " x 10" Rect.to 6 " round transition	5 Ft. x ( ) =	Ft.
	3 1/4 " x 10" Rect.to 6 " round transition 90° elbow	15 Ft. x ( ) =	Ft.
	6 " Round., 90° elbow	15 Ft. x ( ) =	Ft.
	6 " Round., 45°elbow	9 Ft. x ( ) =	Ft.
Subtotal column 1 =			

Duct pieces		Equivalent number length x used =	Total
	6" Round wall cap with damper	30 Ft. x ( ) =	Ft.
	6" Round, roof cap	30 Ft. x ( ) =	Ft.
	6" Round to 3 1/4 " x 10" rect. transition	1 Ft. x ( ) =	Ft.
	6" Round to 3 1/4 " x 10" rect. transition 90° elbow	16 Ft. x ( ) =	Ft.
	7", 8" round 90° elbow	15 Ft. x ( ) =	Ft.
	7", 8" round 45° elbow	9 Ft. x ( ) =	Ft.
	7", 8" Round wall cap with damper	30 Ft. x ( ) =	Ft.
	7", 8" Round, roof cap	30 Ft. x ( ) =	Ft.
	7" Round to 3 1/4 " x 10" rect. transition	8 Ft. x ( ) =	Ft.
	6" Round to 3 1/4 " x 10" rect. transition 90° elbow	15 Ft. x ( ) =	Ft.
Subtotal column 2 =			
Subtotal column 2 =			
Total ductwork =			

**Maximum Duct Length:** For satisfactory air movement, the total duct length should not exceed 100 equivalent feet.

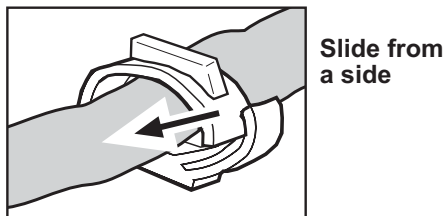
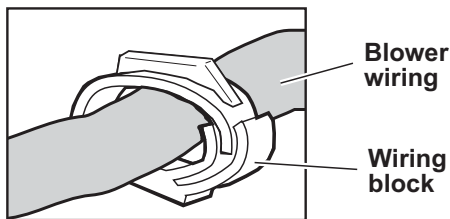
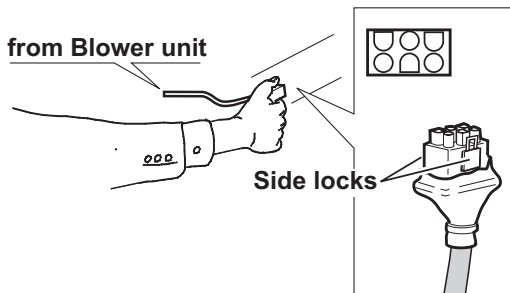
# Installation- Discharge direction

This hood is shipped ready for Horizontal discharge. To change to Vertical discharge proceed as follows:

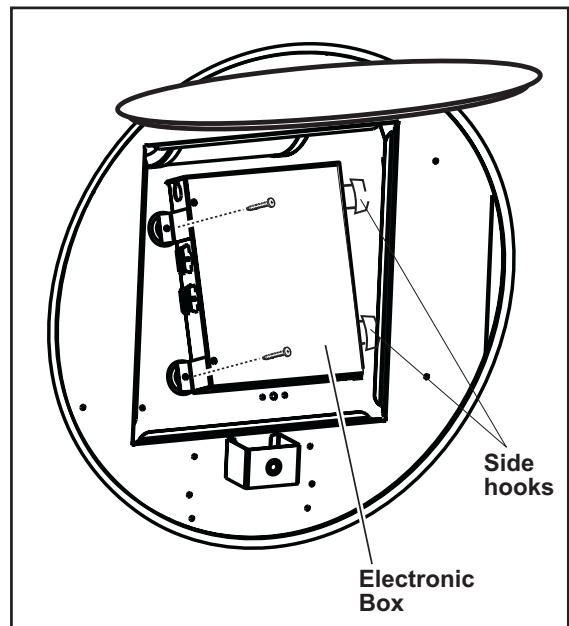
Note1: when proceeding keep all screws and memorize the way all components are fixed.

Note2 - For Vertical discharge ONLY: The installation of the Low or High Duct Cover kit is recommended.

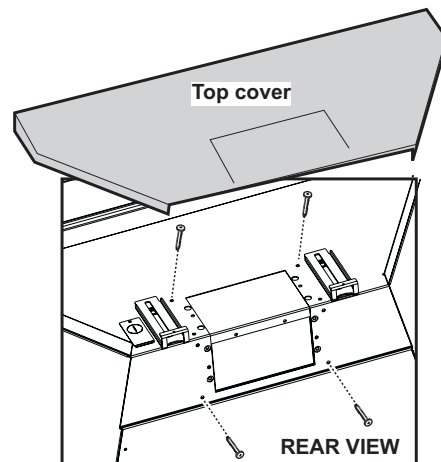
- a. open the front door and remove the metal filter (see paragraph "Maintenance - Front Door" and "Maintenance - Grease filter").
- b. disconnect the blower molex plug from electronic box - press on both side locks to release, and remove wiring from blocks located on top side of the electronic box.



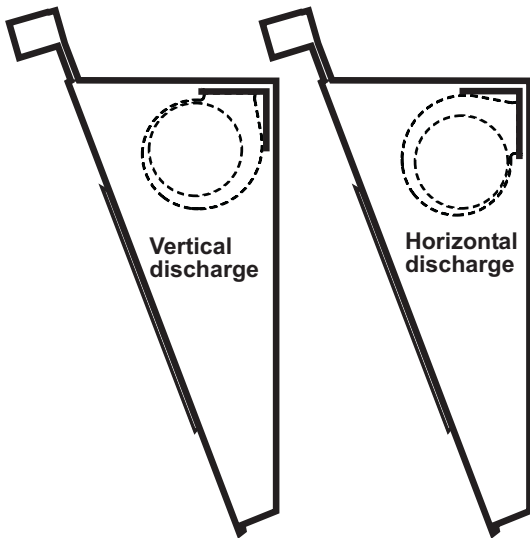
- c. Remove the screws that fix the electronic box to the back of the hood and release the box towards the bottom of the motor housing, so to leave enough clearance to handle the blower. **Warning! When repositioning check that electronic box is fixed with screws and side hooks.**



- d. from the outside of the hood remove the top cover and 4 screws that fix the blower support bracket to rear/top side of the range hood.



- e. Remove the blower from the metal filter housing.
- f. Reposition the blower/bracket assembly so that discharge outlet is towards the top side (Vertical discharge), firmly tighten the 4 fixing screws. **WARNING!** When performing this step check that wirings run in a proper way, **DO NOT DAMAGE OR PULL WIRINGS!**



- g. Connect the motor with its molex plug to the electronic box and fit the wiring inside the wiring blocks.

**Installation- Discharge direction**

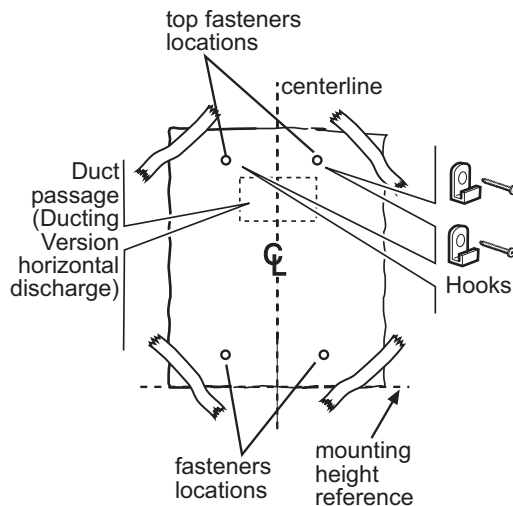
# Installation

## Installation

1. If possible, disconnect and move freestanding or slide-in range from cabinet opening to provide easier access to rear wall. Otherwise put a thick, protective covering over countertop, cooktop or range to protect from damage or dirt. Select a flat surface for assembling the unit. Cover that surface with a protective covering and place all canopy hood parts and hardware in it.
2. Determine and mark the centerline on the wall where the canopy hood will be installed.
3. Select a mounting height comfortable for the user and mark on wall behind cooktop.
4. Tape template, matching center-line and hood bottom as shown in Figure below.
5. Mark center of two top fastener location and two lower fastener location.

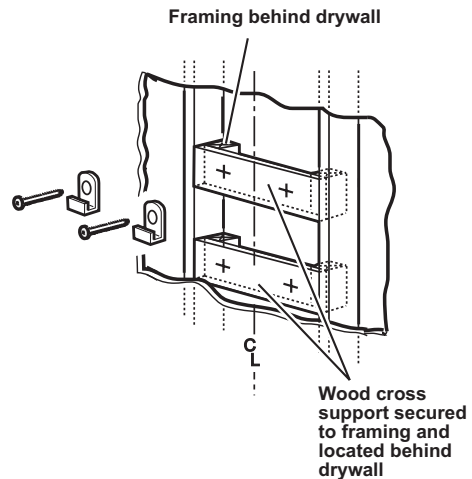
**Ducting Version towards the rear side ONLY (Horizontal discharge):**

**Mark the cut out to be done for duct passage.**  
Remove the template.



6. Mark wall with horizontal line 1" above highest and 1" below lowest fastener location.
7. Find studs behind drywall by tapping wall or using a stud finder. Mark the center of the studs with a vertical line to the right and left of the marked fastener location.

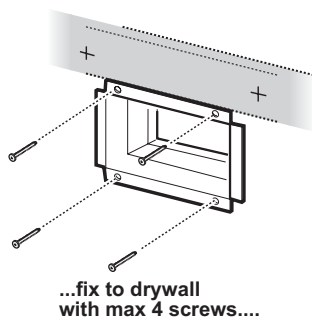
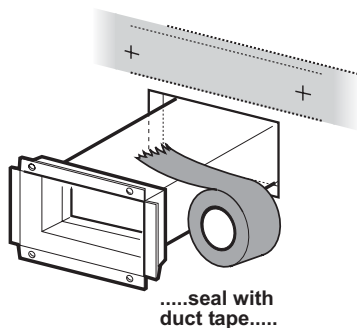
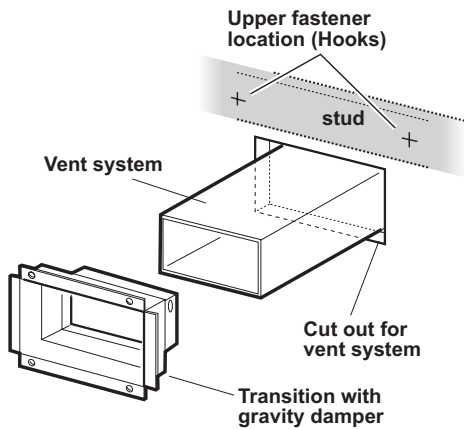
8. **Note:** all fastener locations must span the studs otherwise proceed as follows:  
Cutout drywall along marked lines. Install each necessary between studs firmly flush with already existing stud front. Make sure all mounting screws will anchor to added studs. Replace drywall and refinish.



9. Determine and make all necessary cuts in the wall for the vent system. Install the vent system before the canopy hood. See „Venting methods“ and „Dimensions and clearance“ paragraphs.  
**Note - for Ductless - recirculating - installations:**  
Vent system is not required.

**10. Ducting Version-horizontal discharge ONLY:**

Connect ducting to transition for horizontal discharge, seal with duct tape and fix transition to the wall with four screws, use the included adhesive rubber tape to seal with hood once mounted.



**11.** Determine position of the conduit and cut a 1-1/4" (3.2 cm) hole at this location. Position the conduit. Run wires through hole according the National Electrical Code or CSA Standards and local codes and ordinances.

There must be enough power supply cable from the fused disconnect (or circuit breaker) box to make the connection in the hood's Junction box/es.

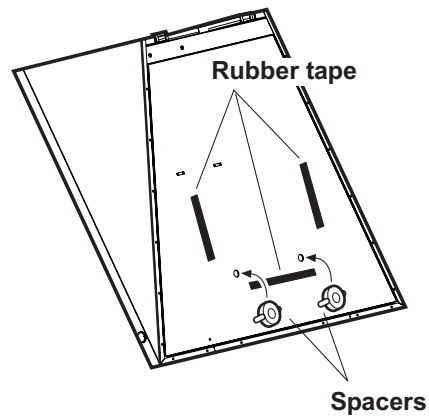
Use caulking to seal all openings. Further adjustment do conduit passage may be required when performing electrical connection. Do Not turn on power until installation is completed.

**12.**Remark center line and hood bottom on same location as before and tape template on wall as in step 4 above.

**13.**Mount 2 hooks with wood screws (supplied in mounting hardware kit) on top locations marked on template, then remove template.

**14.** If necessary, two plastic spacer can be fitted on rear side of the hood on screws passages (lower fastener locations - snap into place) and fit Rubber adhesive tape as shown in figure below.

**Note:** before using, the Rubber adhesive tape supplied must be cut in 3 equal lenght pieces.



# Installation

15. Hang hood on hooks with the 2 brackets.

**WARNING**

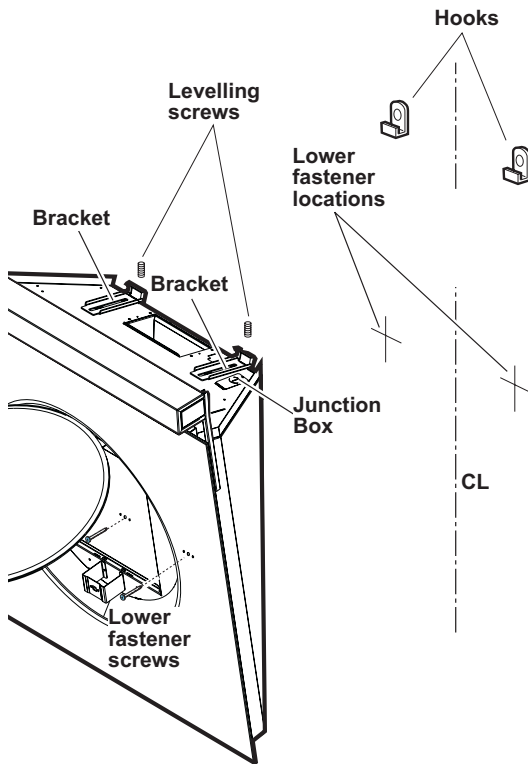
**Excessive Weight Hazard - Use two or more people to move and install range hood. Failure to do so can result in back or other injury.**

16. Level the appliance, using a carpenters level across bottom of hood with levelling screws in mounting brackets.

**Note1:** Levelling screws are supplied in the hardware packet and must be screwed on top of the bracket.

**Note2:** Further adjustments may be possible sliding the brackets, loosen the screws the fix them to the body of the hood and retighten when hood is in place as desired.

17. Open the front door, remove the grease filter (see paragraph "Maintenance - Front Door" and "Maintenance - Grease filter") and secure hood with 2 screws on bottom.



18. **Ducting version - vertical discharge ONLY:**

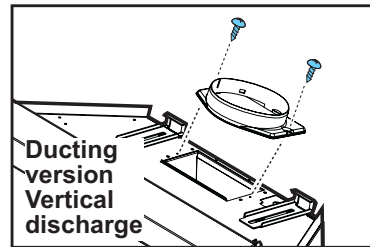
Install the transition on top of the hood with 2 screws.

Connect ducting to transition. Seal with duct tape.

**Do not use duct smaller than the transition.**

**Ductless (recirculating) version ONLY:**

Install the deflector (available as an extra kit) on top of the hood.



19. **Electrical connection**

**WARNING**

**Electrical Shock Hazard**

**Warning: Turn off power circuit at the service panel before wiring this unit.**

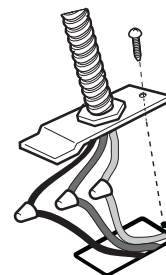
**120 VAC, 15 or 20 Amp circuit required.**

**ELECTRICAL GROUNDING INSTRUCTIONS**

THIS APPLIANCE IS FITTED WITH AN ELECTRICAL JUNCTION BOX WITH 3 WIRES, ONE OF WHICH (GREEN/YELLOW) SERVES TO GROUND THE APPLIANCE. TO PROTECT YOU AGAINST ELECTRIC SHOCK, THE GREEN AND YELLOW WIRE MUST BE CONNECTED TO THE GROUNDING WIRE IN YOUR HOME ELECTRICAL SYSTEM, AND IT MUST UNDER NO CIRCUMSTANCES BE CUT OR REMOVED.

**Failure to do so can result in death or electrical shock.**

On top of the hood on the right side is found the Junction box, remove the knockout and the Junction box cover and install the conduit connector (cULUS listed) in junction box cover.



Run 3 wires; black, white and green, according to the National Electrical Code and local codes and ordinances, in 1/2" conduit from service panel to junction box.

Connect black wire from service panel to black or red in junction box, white to white and green to green-yellow.

Close junction box cover.

**20. Ducting version - Horizontal discharge ONLY:**

Install the top cover.

**Ductless (recirculating) version ONLY:**

Remove the Knockout on top cover (to leave passage of air from deflector) and install the top cover.

**Note:** The top cover should not be installed if is intended to order and install the optional chimney kit

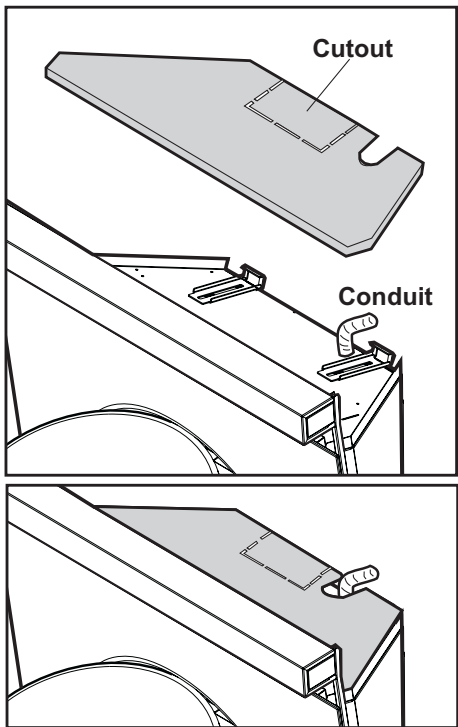
Controls start flashing for about 15 secs to indicate they are calibrating themselves, wait until flashing stops (only **Motor touch sensor key OFF** (stand by) is ON - see also paragraph "Controls").

Calibration is repeated any time the hoos is disconnected intentionally or not from power supply (i.e.: Black out).

Then check lights and blower operation.

**If range hood does not operate:**

- Check that the circuit breaker is not tripped or the house fuse blown.
- Disconnect power supply. Check that wiring is correct.



**21. For Ductless (recirculating) installations**

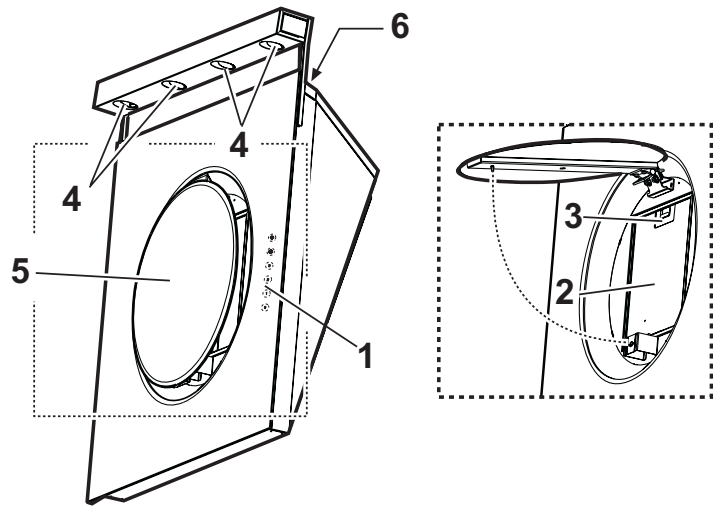
Install one charcoal filter (available as an extra kit).

**22.** Install metal filter and close the front door ((see paragraph "Maintenance - Front Door" and "Maintenance - Grease filter").

**23.** Check all light bulbs to make sure they are secure in their sockets.  
Turn power on in service panel.

# Description of the hood

- 1 Control panel
- 2 Grease filter
- 3 Grease filter release handle
- 4 Halogen lamp (position and nr. of lamps may vary)
- 5 Front door
- 6 Air outlet (on top and on the rear side)





Use the high suction speed in cases of concentrated kitchen vapours. It is recommended that the cooker hood suction is switched on for 5 minutes prior to cooking and to leave in operation during cooking and for another 15 minutes approximately after terminating cooking.



Light touch sensor key: dim lighting / full lighting /off (loop control) - Works even with hood in stand by/OFF



**ON/OFF Intensive speed selection touch sensor key** (suction power) - lasts 5 minutes - press again to return to previous setting.



**3 High-speed selection touch sensor key** (suction power).



**2 Medium-speed selection touch sensor key** (suction power) - when flashing it indicates the need to wash or replace the carbon filter. This signal is normally deactivated. Press sensor keys 1 and 2 at the same time to activate. At first only key 1 will flash, then both keys 1 and 2 to indicate activation. Repeat the operation to deactivate the signal. At first keys 1 and 2 will flash, then only key 1 to indicate deactivation.



**1 Low-speed selection touch sensor key** (suction power) – when flashing it indicates the need to wash the metal grease filter.



**0 Motor touch sensor key OFF** (stand by) – excludes the electronics – reset wash/replace filters signals.

**MOTOR OFF**

Hood in stand-by: Press briefly to switch the motor off.

**RESET FILTERS SIGNALS**

After having carried out maintenance of the filters, press this sensor key for 3 seconds. Flashing led 1 (fats filter) or 2 (carbon filter) will stop flashing.

**EXCLUDING THE ELECTRONICS**

Press the key for 3 seconds. The hood command electronics will be excluded.

This function can be useful during the product cleaning operations.

Just repeat the operation to reinsert the electronics.

**REMOTE CONTROL BATTERY CONTROL**

When flashing, replace the battery on remote control.

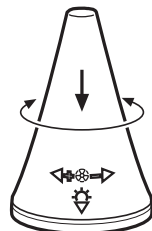
**Note:** The front door must always be left closed and opened only for maintenance (e.g. cleaning or changing filters).

If the hood fails to operate correctly, briefly disconnect it from the mains power supply for almost 5 sec. by pulling out the plug. Then plug it in again and try once more before contacting the Technical Assistance Service.

## Using the Remote Control

This device complies with part 15 of the FCC Rules. Operation is subject to the following two conditions: (1) This device may not cause harmful interference, and (2) this device must accept any interference received, including interference that may cause undesired operation.

The remote control may operate in humid environments, but not when placed on wet surfaces.

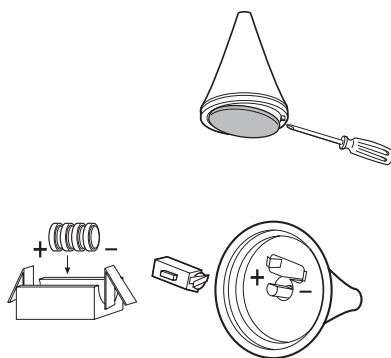


**Selecting the Suction Speed** position the remote control vertically near the cook top area and rotate clockwise to increase the suction speed, and anticlockwise to decrease the suction speed.

**Turning on the Light**, press the remote control from the top downwards once for dim lighting, again for full lighting, and again to turn off the light.

If the Motor touch sensor key  flashes, then replace the battery.

## Remote Control Maintenance:



Clean the remote control using non abrasive detergents.

Follow the instructions below in order to replace the batteries for the remote control :

Using a small screwdriver, raise the cover on the base of the remote control, in order to access the battery compartment.

Remove the battery holder, and replace 4 new batteries type ..394 of 1.5V.

Place the batteries in order in the battery holder (see illustration) taking care to respect the polarities indicated on the base of the upper section of the remote control.

## Warning!

If the remote control doesn't work after installation (yet the control ball works correctly), do the following:

1. Place the remote control on the work surface near the hood.
2. Disconnect the hood from the mains.
3. Reconnect the hood to the mains.

Follow this procedure whenever the remote control doesn't work for no apparent reason (e.g.: dead battery).

Prior to any maintenance operation ensure that the cooker hood is disconnected from the power supply.

**CLEANING**

The cooker hood should be cleaned regularly internally and externally.

For cleaning use a cloth moistened with a neutral liquid detergents. Avoid abrasive detergents.

**Warning:**

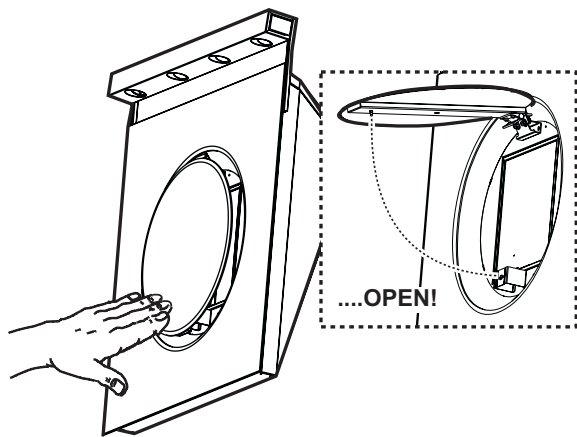
Failure to carry out the basic standards of the cleaning of the cooker hood and replacement of the filters may cause fire risks.

Therefore we recommend observing these instructions.

**FRONT DOOR**

This should be left always closed.

To open:



...PUSH and....

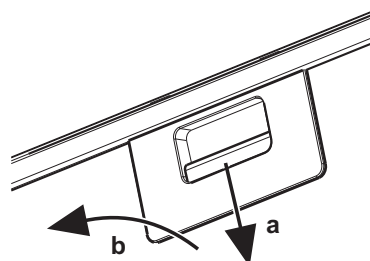
Proceed on reverse way to close.

**GREASE FILTER**

This must be cleaned once a month using non aggressive detergents, either by hand or in the dish-washer, which must be set to a low temperature and a short cycle.

When washed in a dish-washer, the grease filter may discolour slightly, but this does not affect its filtering capacity.

To remove the grease filter, pull the spring release handle (a-b).



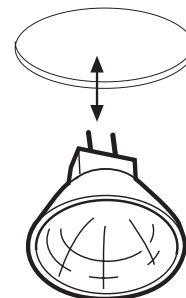
Proceed on reverse way to re-install.

**REPLACING THE LIGHT BULB:**

**WARNING**

Disconnect the hood from electricity and be sure the lights are cool.

If new lights do not operate, make sure the light bulb is inserted correctly before calling service.



- Using a flat head screwdriver or equivalent tool, carefully pry loose the lamp so to unthread from the connector.
- Slide out the lightbulb to be replaced and replace with a new 12V 20W 30° Ø35 GU4 bulb type MR11, "suitable for use in open luminarie".

# Trouble Shooting

Issue	Cause	What to do
After installation, the unit doesn't work?	1. The power source is not turned ON.	1. Make sure the circuit breaker and the unit's power is ON.
	2. The power line and the cable locking connector is not connecting properly.	2. Check the power connection with the unit is connected properly.
	3. The switch board and control board wirings are disconnected.	3. Make sure the wirings between the switch board and control board are connected properly.
	4. The switch board or control board is defective.	4. Change the switch board or control board.
Light works, but motor is not turning.	1. The motor is defective, possible seized.	1. Change the motor.
	2. The thermally protected system detects if the motor is too hot to operate and shuts the motor down.	2. The motor will function properly after the thermally protected system cool down.
	3. Damaged condenser.	3. Change the condenser.
The unit is vibrating.	1. The motor is not secure in place.	1. Tighten the motor in place.
	2. Damaged blower wheel.	2. Change the blower wheel.
	3. The hood is not secured in place.	3. Check the installation of the hood.
The motor is working, but the lights are not.	1. Defective halogen bulb.	1. Change the halogen bulb.
	2. The light bulb is loose.	2. Tighten the light bulb.
The hood is not venting out properly.	1. The hood might be hanging to high from the cook top.	1. Adjust the distance between the cook top and the bottom of the hood (min. 20").
	2. The wind from the opened windows or opened doors in the surrounding area are affecting the ventilation of the hood.	2. Close all the windows and doors to eliminate the outside wind flow.
	3. Blocking in the duct opening or ductwork.	3. Remove all the blocking from the duct work or duct opening.
	4. The direction of duct opening is against the wind.	4. Adjust the duct opening direction.
	5. Using the wrong size of ducting.	5. Change the ducting to at least 6" or higher.
Metal filter is vibrating.	1. Metal filter is loose.	1. Change the metal filter.

**TO OBTAIN SERVICE UNDER WARRANTY:  
or any Service Related Questions, please call:  
1-888-880-8368**

Staple your receipt here.  
Proof of the original purchase  
date is needed to obtain service  
under the warranty.

**TO OBTAIN SERVICE UNDER WARRANTY:** You must present proof of original purchase date.  
Please keep a copy of your dated proof of purchase (sales slip) in order to obtain service under warranty.

**One Year Service Repair Warranty:**

For one year from date of original purchase, we will provide free of charge, service labor to repair any failed parts or components due to manufacturing defects.

**One Year Parts Warranty:**

For one year from date of original purchase, we will provide free of charge, nonconsumable replacement parts or components that failed due to manufacturing defects. Consumable parts not covered by this warranty include: Light Bulbs, Metal and Carbon Filters.

**Who is Covered:**

This warranty is extended to the original purchaser for products purchased for ordinary home use in the 48 mainland states, Hawaii and Washington D.C. In Canada and Alaska, this warranty is Limited. There might be costs associated with shipping the products to our designated service locations or you might need to pay service technician's travel costs, to have the appliance repaired in-home.

**This Warranty will be Voided when:**

Product damaged through negligence, misuse, abuse, accident. Improper installation and failure to follow installation instructions.

When product is used commercially or other than its intended purpose. Damaged because of improper connection with equipment of other manufacturers. Repaired or modified by anyone other than Zephyr's Authorized Agents.

**What is Not Covered:**

Consumable parts such as light bulbs, filters, and fuses. Services outside of service area and the labor cost incurred in connection with the removal, shipping and reinstallation cost, nor does it cover any other contingent expenses. The natural wear of finish, and wear due to improper maintenance, use of corrosive and abrasive cleaning products, pads, and oven cleaner products. Chips, dents or cracks due to abuse, misuse, freight damage, or improper installation. Service trips to your home to teach you how to use the product. Damage of product caused by accident, fire, floods or act of God.

This warranty is valid in the United States and Canada. It is non-transferable and applies only to the original purchaser and does not extend to subsequent owners of this product. Any applicable implied warranties, including the warranty of merchantability, are limited in duration to a period of express warranty as provided herein beginning with the date of original purchase at retail and, no warranties, whether express or implied, shall apply to this product thereafter.

Have your product proof of purchase with date ready for warranty issues.  
Or write to:

**Zephyr Corporation  
Service and Warranty Department  
395 Mendell Street  
San Francisco, CA 94124**

# List of Parts and Accessories

## Part Description

## Part#

halogen bulb, 12V 20 W	Z0B-0009
metal filter	GF009C
remote control battery ..394 of 1.5V. (4 needed)	

## Part Description

## Part#

Ductless Recirculating Kit	ZRC-000M
charcoal replacement filter	Z0F-C061
Low duct cover kit	Z0C-000M
High duct cover kit	Z1C-000M



---