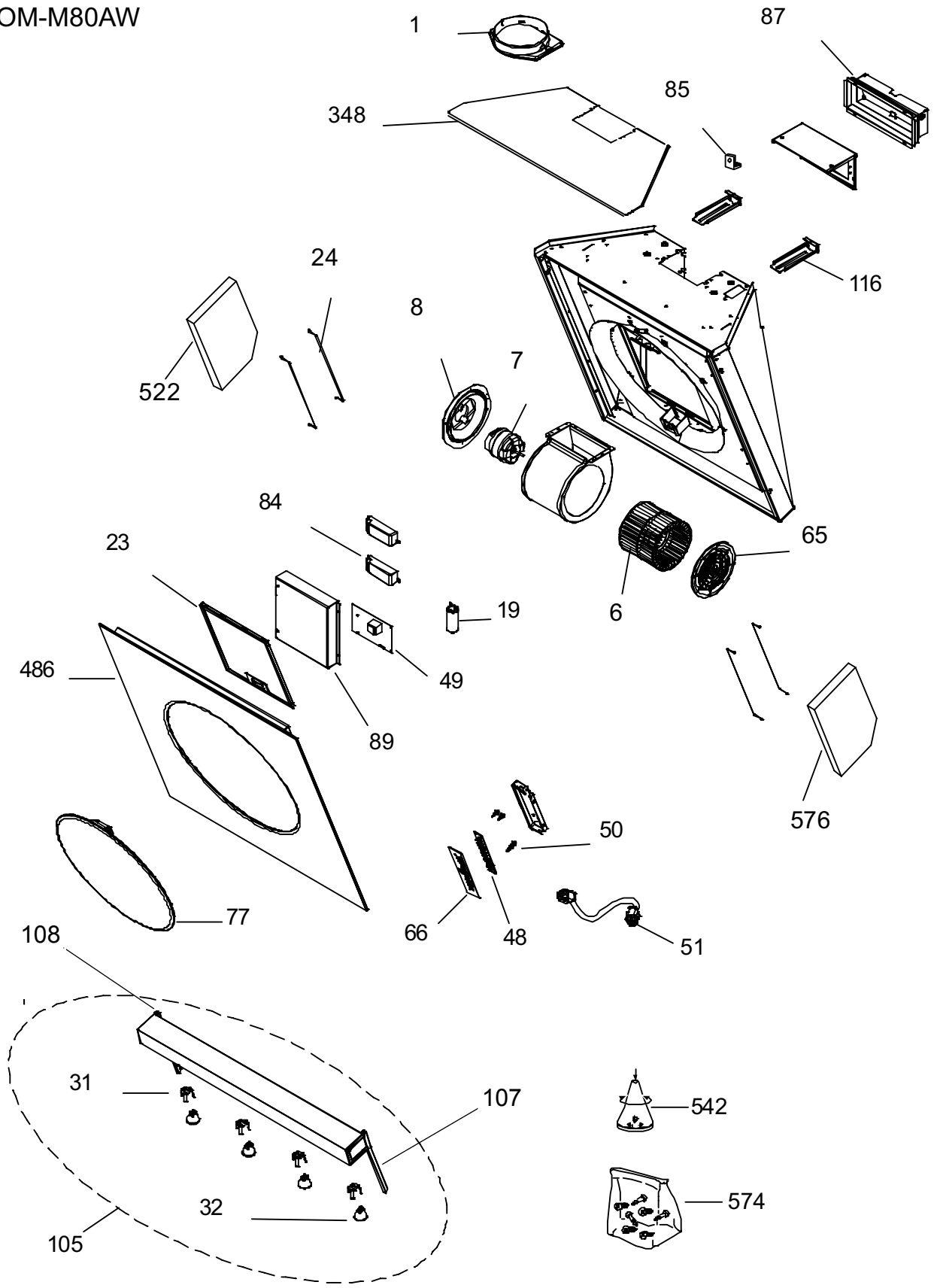


Om
EOM-M80AB
EOM-M80AW



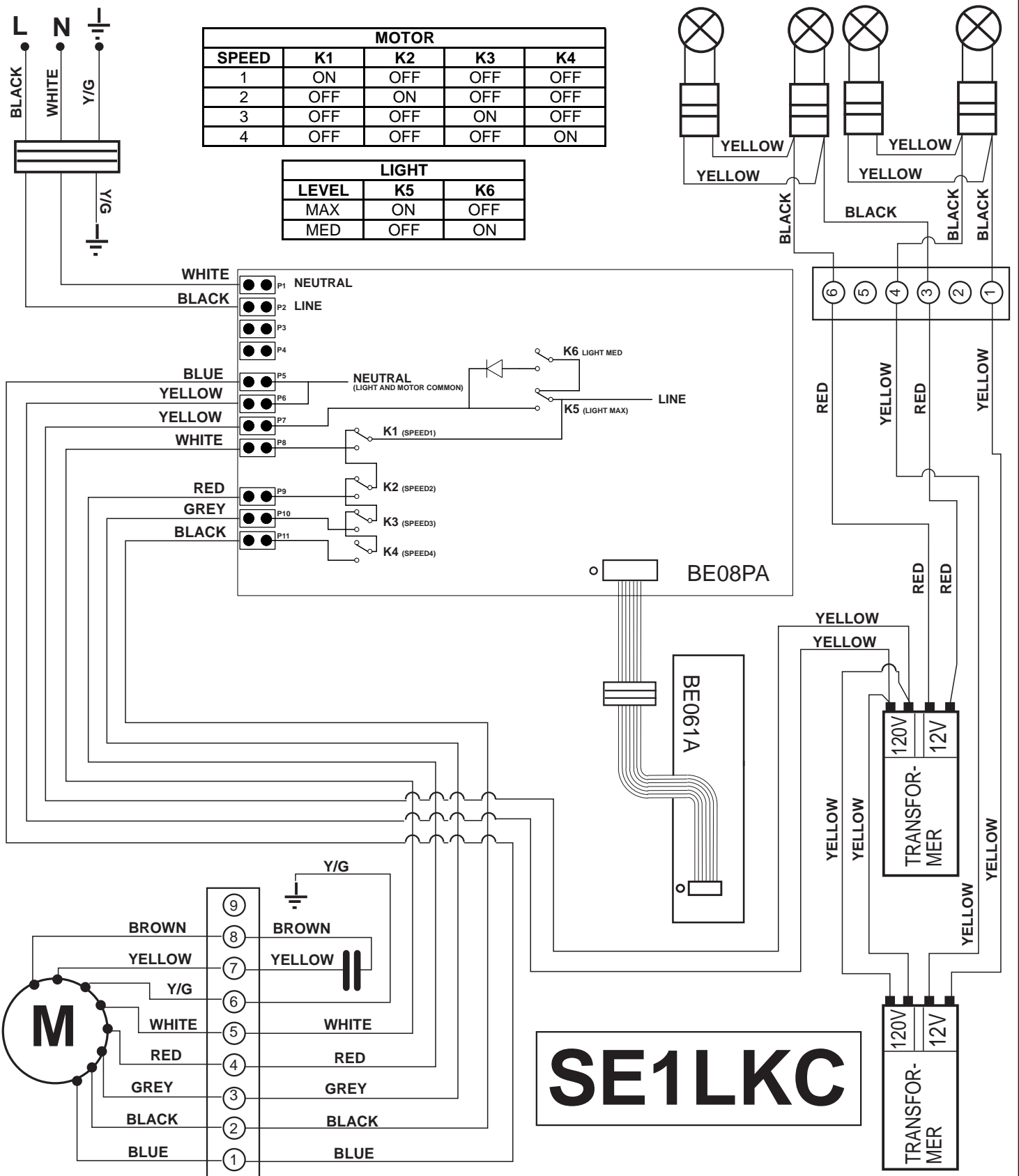
EOM-M80AB, EOM-M80AW

Ref #	Part #	Description	Qty.
1	54050029	Duct Transition Piece	1
6	54250001	Blower Wheel	1
7	12120008	Motor	1
8	54140017	Support, Motor	1
19	12050003	Capacitor	1
23	50200005	Filter, Metallic	1
24	54140025	Bracket, Sound Dampening Sponge	4
31	Z0B-0009	Bulb, Halogen 20W 12V GU-4/MR-11	4
32	12100028	Light Socket, 20W GU-4/MR-11	4
48	11010020	Switch Board	1
49	11010007	Control Board	1
50	56240009	Spacers, Control Board	4
51	11030008	Cable, Switch Assembly	1
65	56120003	Basket	1
66	52050002	Decal	1
77	50300027	Door, EOM-M80AB	1
77	50300028	Door, EOM-M80AW	1
84	12110002	Transformer	2
85	54140006	Bracket, Wall	2
87	54050004	Collar, Rectangular Starting	1
89	56200010	Housing, Control Board/Transformers	1
105	50110038	Lamp Holder Support Bar (with out side brackets)	1
107	50340001	Support Bar Right Bracket	1
108	50340002	Support Bar Left Bracket	1
116	54110018	Bracket, Hood	2
348	56210007	Cover, Top	1
486	50140004	Panel, Front EOM-M80AB	1
486	50140003	Panel, Front EOM-M80AW	1
522	56180002	Sound Dampening Sponge, Left	1
542	14000001	RF Remote Control	1
574	05000019	Hardware Packet	1
576	56180003	Sound Damping Sponge, Right	1

DEC07.0101

MOTOR				
SPEED	K1	K2	K3	K4
1	ON	OFF	OFF	OFF
2	OFF	ON	OFF	OFF
3	OFF	OFF	ON	OFF
4	OFF	OFF	OFF	ON

LIGHT		
LEVEL	K5	K6
MAX	ON	OFF
MED	OFF	ON



SE1LKC

07/03/06		MODIFICATA RAPPRESENTAZIONE BASETTA BE08PA	SOLUSTRI		C
19/12/05		CORRETTO CODICE BASETTA COMANDI	SOLUSTRI		B
DATA DATE	MODIF. N. MODIF. NO.	DESCRIZIONE MODIFICA MODIFICATION DESCRIPTION	DISEGNATO DRAWN BY	APPROVATO APPROVED	

MODELLO MODEL OM USA TC3+I 4H	PARTICOLARE DETAIL <i>schema elettrico</i>	DISEGNO N. DRAWING No. SE1LKC	DATA DATE
MATERIALE MATERIAL <i>Carta metallizzata 80x85</i>	COLORE STAMPA PRINT COLOUR <i>nero</i>	DISEGNATO DRAWN BY <i>Solustri</i>	21/09/05
 UFFICIO TECNICO TECHNIC DEPARTMENT		APPROVATO APPROVED <i>Magrini</i>	
SCALA SCALE FORM. A - 4	LA RIPRODUZIONE O LA CESSIONE DEL PRESENTE DISEGNO DEVONO ESSERE AUTORIZZATE DALLA "ELICA" SPA ANY REPRODUCTION OR TRANSFER OF THE PRESENT DRAWING MUST BE AUTHORIZED BY "ELICA" SPA	SOSTITUITO DAL DIS. N. REPLACED BY DRAWING NO.	ULTIMA EMISS. LAST EDITION
		SOSTITUISCE IL DIS. N. IT REPLACES DRAWING NO.	07/03/2006