

ARC

DUO

WALL

DESIGNER:
ROBERT BRUNNER

An ideal duo of materials, Duo can be paired with a wood overlay using our template as the guide. Or, if you prefer the simplicity of a slim profile stainless steel canopy, keep the Duo Wall as-is; for the stylish, and contemporary kitchen-

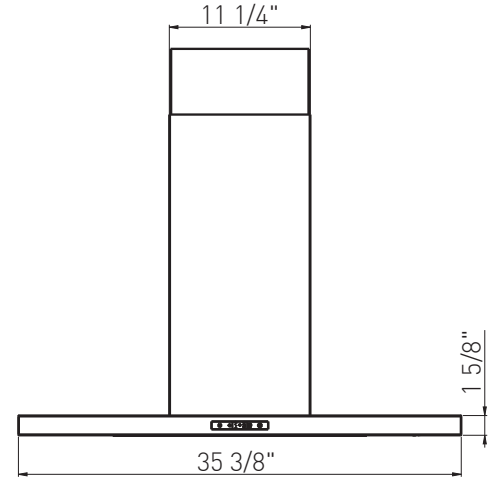
en. Now available with a tri-level LED light strip.

ZEPHYR

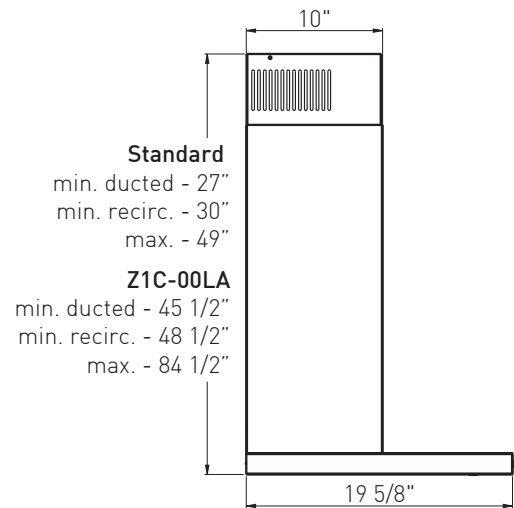
ZEPHYRONLINE.COM



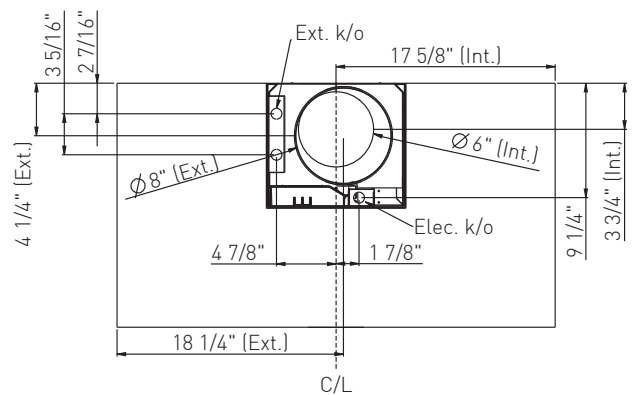
Wireless Remote Control



Front



Side



Top

DESIGNER:
ROBERT BRUNNER

MODEL

Stainless Steel ADU-M90BSX
Size 90cm (35-3/8")

PERFORMANCE

Internal Blower (CBI-290A)* 200-290 CFM, 1.4-3 sones
Internal Blower (CBI-600A)* 240-600 CFM, 1.8-6 sones
In-Line Blower (PBN-1000A)* 500-1,000 CFM, sones NA
External Blower (CBE-1000)* 500-1,000 CFM, sones NA

FEATURES

Controls Capacitive Touch
Speed Levels 3
Auto Delay-Off Yes
CleanAir Function** Yes
Lighting LED Strip x 1 (8.5W)
Tri-Level Lighting Yes
Filters Decorative Mesh x3
Wireless Remote Control Yes, RF
Recirculating Yes
Extension Duct Cover Yes
ADA Compliant Yes

DUCT SPECIFICATIONS

Vertical Internal Blower 6"
Vertical In-Line/External Blower 10" to 8"***
Horizontal NA

AC POWER

Hood w/ CBI-290A 120V, 60Hz, Max. 1.15A
Hood w/ CBI-600A 120V, 60Hz, Max. 3.15A
Hood w/ PBN-1000A 120V, 60Hz, Max. 5.85A
Hood w/ CBE-1000 120V, 60Hz, Max. 6.65A

OPTIONAL ACCESSORIES

Recirculating Kit ZRC-01LA
Extension Duct Cover Z1C-00LA (up to 12' ceiling)
Make-Up Air Kit MUA006A (600 CFM)
MUA008A (1,000 CFM)

MOUNTING HEIGHT RANGE† 24" - 36"

WARRANTY 1 year parts, 1 year labor

CEILING HEIGHT		8'	8.5'	9'	9.5'	10'	10.5'	11'	12'
STANDARD DUCT COVER	Ducted Mounting Height†	24" - 30.5"	24" - 36"	24" - 36"	29" - 36"	35" - 36"	NA	NA	NA
	Recirc. Mounting Height†	24" - 30.5"	24" - 36"	24" - 36"	29" - 36"	35" - 36"	NA	NA	NA
EXTENSION DUCT COVER	Ducted Mounting Height†	NA	NA	NA	24" - 29"	24" - 35"	24" - 36"	24" - 36"	24" - 36"
	Recirc. Mounting Height†	NA	NA	NA	24" - 29"	24" - 35"	24" - 36"	24" - 36"	24" - 36"

*Blower sold separately.

**CleanAir turns your hood on once every four hours for 10 minutes on speed one.

***10" round duct connects to external and in-line blower. Must transition from 10" to 8" before duct passes through ceiling. A 10" to 8" adapter is included with external and in-line blowers.

†Mounting height refers to distance between top of a 36" tall cooking surface and bottom of hood.