

ARC COLLECTION



TILT

A contemporary sculpture for the kitchen, Tilt's sextet of subtly angled panels meet in a layered array to form a hinged range-hood canopy like no other. An upwardly mobile front panel lifts for convenient blower access without heavy lifting whenever cleaning or service are required. Dual halogen lamps provide the perfect accent to this powerful wall-mounted statement, clad in your choice of all-stainless steel or stainless underscored with a sleek, black powder coat.

	SIZE	NET WIDTH	COLOR
ATI-M90ABX	36"	35 3/8"	Stainless Steel/Black
ATI-M90ASX	36"	35 3/8"	Stainless Steel



RF Remote Control

ARC COLLECTION

TILT WALL

MODEL

ATI-M90ABX	36"
ATI-M90ASX	36"

FEATURES

Controls	Memory Touch Glass
Speed Levels	3
Auto Delay-Off	Yes
CleanAir Function	Yes
Remote Control	Yes, RF
Lighting	Halogen, 20W x 2
Tri-Level Lighting	Yes
Filters	Decorative Mesh x 1
Recirculating	Yes
Duct Cover Extension	Yes

*PERFORMANCE

Internal Blower - CBI-290A	200 - 290 CFM, 1.4 - 3.2 Sones
Internal Blower - CBI-600A	240 - 600 CFM, 1.8 - 6 Sones
In-Line Blower - PBN-1000A	500 - 1000 CFM, Sones NA
External Blower - CBE-1000	500 - 1000 CFM, Sones NA

AC INPUT 120V - 60Hz

**AC POWER

Hood Only Max. 40W, 0.33 Amps

MOUNTING HEIGHTS

Height from the cooking surface Min. 22" - Max. 32"

HOOD HEIGHTS

Standard (No Cover) 18 3/4"

Short Kit - Z1C-00TI

Minimum 35"
Maximum 52"

Long Kit - Z1C-01TI

Minimum 51"
Maximum 85"

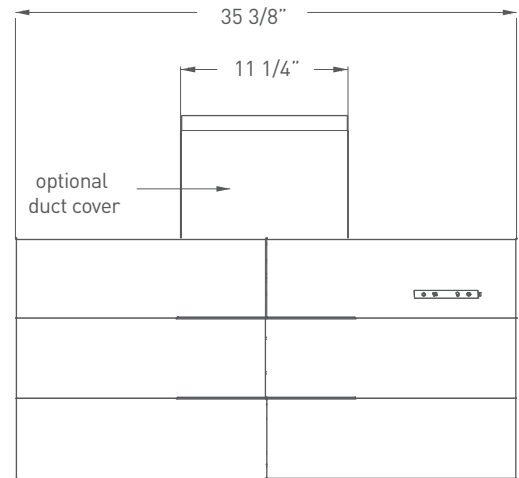
DUCT SPECIFICATIONS

Vertical - Internal	6"
Horizontal - Internal	6"
Vertical/Horizontal - In-Line/External	10" to 8"***

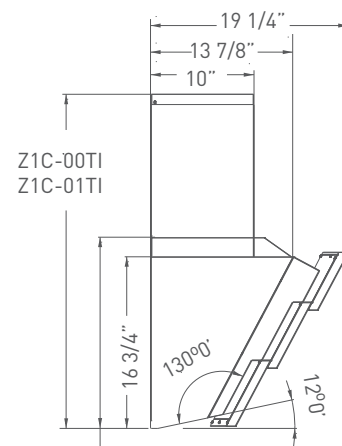
OPTIONAL ACCESSORIES

Recirculating Kit	ZRC-00HZ
Duct Cover Extension Kit, Short (8'-9' ceiling)	Z1C-00TI
Duct Cover Extension Kit, Long (9'-10' ceiling)	Z1C-01TI

*Requires purchase of Zephyr blower, sold separately. **AC power listed above is for hood with lights only. See blower specs on our website for more AC power details. ***10" round duct connects to external and in-line blower. Must transition from 10" to 8" before duct passes through ceiling. A 10" to 8" adapter is included with the external and in-line blowers.

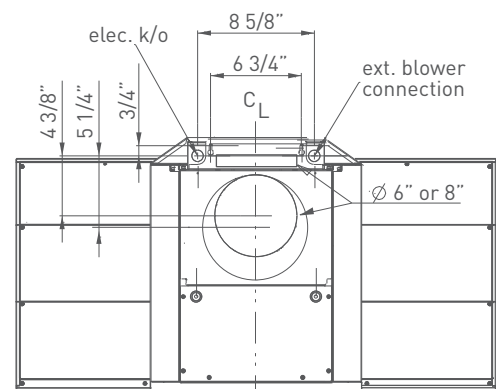


Front



min./max. no cover - 18 3/4"

Side



Back