

ARC

PLANE

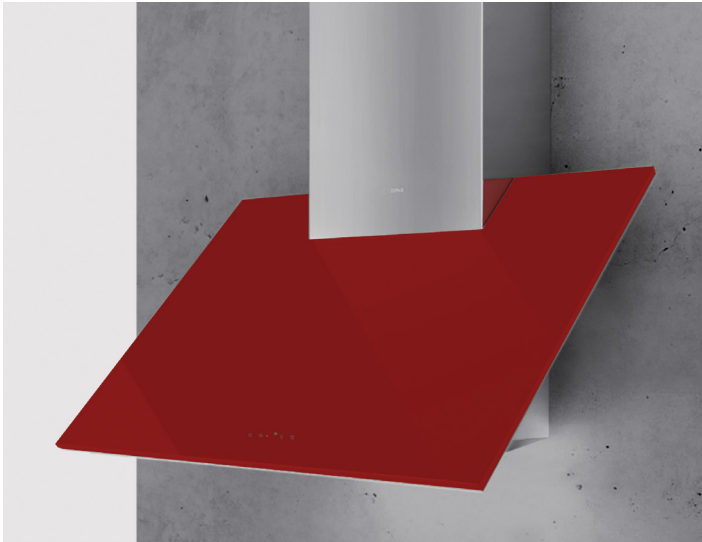
WALL

DESIGNER:  
ROBERT BRUNNER

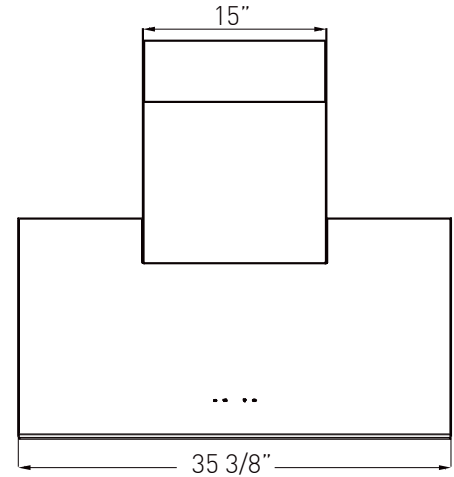
A steep incline of intersecting planes make a powerful, simple geometric statement that's subtle, but never hidden. A stunning red glass canopy is paired with stainless steel for a bold centerpiece in the kitchen.

**ZEPHYR**

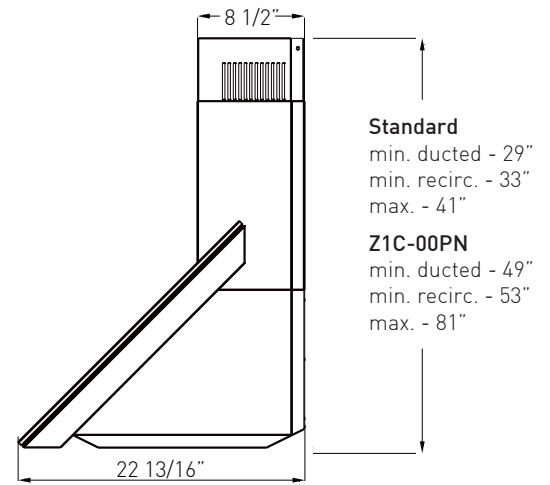
ZEPHYRONLINE.COM



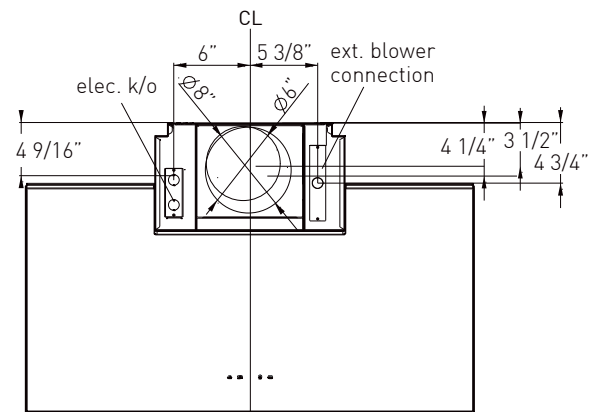
Wireless Remote Control



Front



Side



Top

DESIGNER:  
ROBERT BRUNNER

**MODEL**

Red Glass w/ Stainless Steel APN-M90ARX  
Size 90cm (35-3/8")

**PERFORMANCE**

Internal Blower (CBI-290A)\* 200-290 CFM, 1.4-3 sones  
Internal Blower (CBI-600A)\* 240-600 CFM, 1.8-6 sones  
In-Line Blower (PBN-1000A)\* 500-1,000 CFM, sones NA  
External Blower (CBE-1000)\* 500-1,000 CFM, sones NA

**FEATURES**

Controls Capacitive Touch  
Speed Levels 3  
Auto Delay-Off Yes  
CleanAir Function\*\* Yes  
Lighting Halogen, 20W x3  
Tri-Level Lighting Yes  
Filters Decorative Mesh x2  
Wireless Remote Control Yes, RF  
Recirculating Yes  
Extension Duct Cover Yes

**DUCT SPECIFICATIONS**

Vertical Internal Blower 6"  
Vertical In-Line/External Blower 10" to 8"\*\*\*  
Horizontal NA

**AC POWER**

Hood w/ CBI-290A 120V, 60Hz, Max. 1.25A  
Hood w/ CBI-600A 120V, 60Hz, Max. 3.25A  
Hood w/ PBN-1000A 120V, 60Hz, Max. 5.95A  
Hood w/ CBE-1000 120V, 60Hz, Max. 6.75A

**OPTIONAL ACCESSORIES**

Recirculating Kit ZRC-00PN  
Make-Up Air Kit MUA006A (600 CFM)  
MUA008A (1,000 CFM)

**MOUNTING HEIGHT RANGE†** 24" - 36"

**WARRANTY** 1 year parts, 1 year labor

CEILING HEIGHT		8'	8.5'	9'	9.5'	10'	10.5'	11'	12'
STANDARD DUCT COVER	Ducted Mounting Height†	24" - 31"	25" - 36"	31" - 36"	NA	NA	NA	NA	NA
	Recirc. Mounting Height†	24" - 27"	25" - 33"	31" - 36"	NA	NA	NA	NA	NA
EXTENSION DUCT COVER	Ducted Mounting Height†	NA	NA	NA	24" - 29"	24" - 35"	24" - 36"	24" - 36"	27" - 36"
	Recirc. Mounting Height†	NA	NA	NA	24" - 25"	24" - 31"	24" - 36"	24" - 36"	27" - 36"

\*Blower sold separately.

\*\*CleanAir turns your hood on once every four hours for 10 minutes on speed one.

\*\*\*10" round duct connects to external and in-line blower. Must transition from 10" to 8" before duct passes through ceiling. A 10" to 8" adapter is included with external and in-line blowers.

†Mounting height refers to distance between top of a 36" tall cooking surface and bottom of hood.