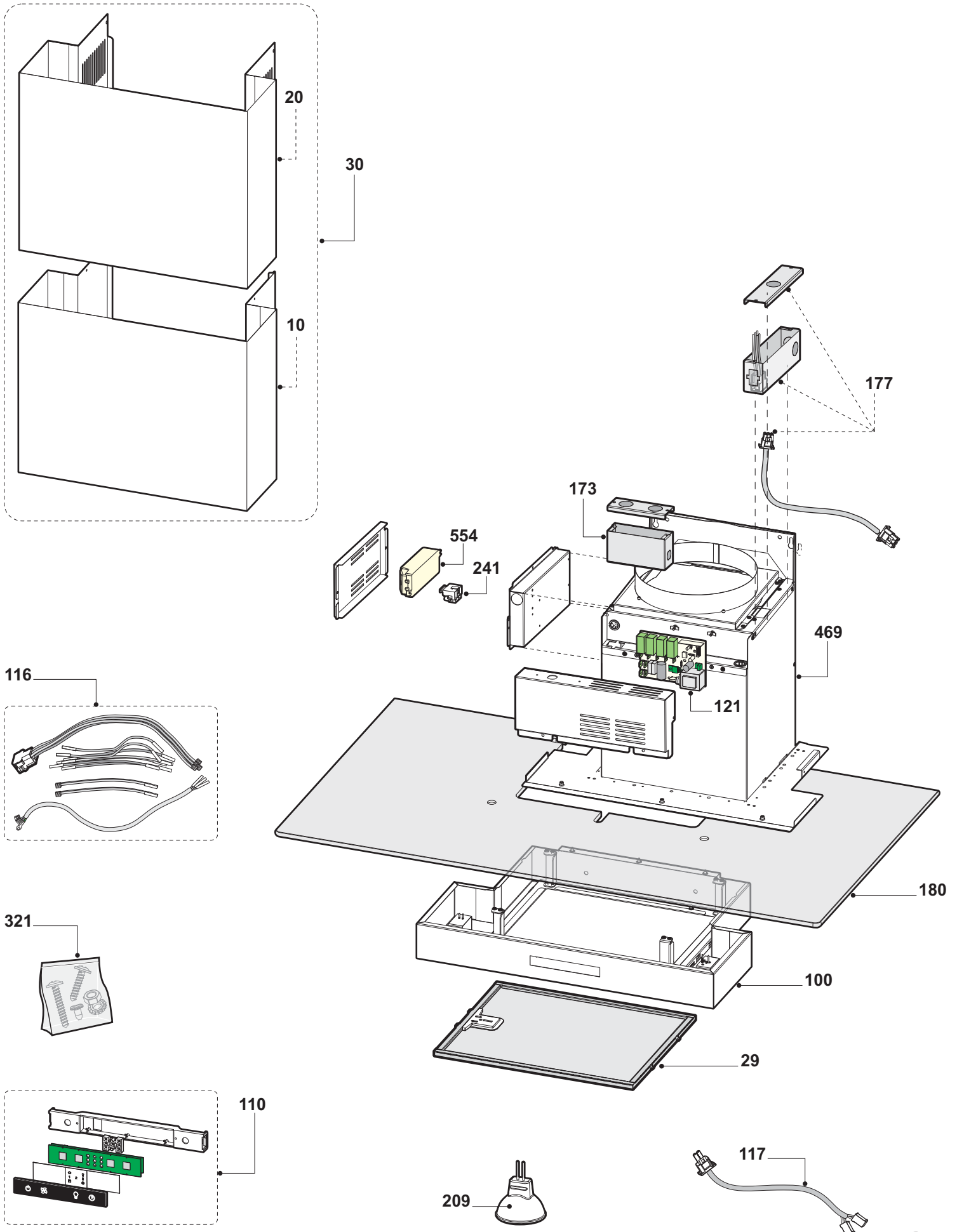


# Surface Wall





# Surface Wall

## ASU-M90ASX, ASU-E42ASX

| Ref # | Zephyr # | Description                  | Per Hood |
|-------|----------|------------------------------|----------|
| 9     | 54110091 | Bracket, Duct Cover          | 1        |
| 10    | 50050080 | Duct Cover, Lower            | 1        |
| 20    | 50050081 | Duct Cover, Upper            | 1        |
| 29    | 50200033 | Filter, Metal Mesh           | 3        |
| 30    | 50050082 | Duct Cover Set               | 1        |
| 110   | 11000047 | Switch Assembly              | 1        |
| 116   | 11030051 | Internal Wiring              | 1        |
| 117   | 11030049 | Light Cables                 | 1        |
| 121   | 11010037 | Control Board                | 1        |
| 173   | 56200063 | Electrical Box               | 1        |
| 177   | 11030052 | Remote Blower Wiring and Box | 1        |
| 180   | 50300073 | Canopy (36")                 | 1        |
| 180   | 50300074 | Canopy (42")                 | 1        |
| 241   | 12170001 | Fuse and Fuse Box            | 1        |
| 321   | 05000061 | Hardware Packet              | 1        |
| 423   | 54110054 | Bracket, Motor               | 1        |
| 554   | 12110015 | Transformer                  | 1        |
| 609   | Z0B-0030 | Halogen Bulb, G4, 20w        | 2        |
| 610   | 12100046 | Socket, Light                | 2        |
| 659   | 54050068 | Motor Flange                 | 1        |

SEP14.0301